

### 1 - HEIGHT ADJUSTMENT LEVER

#### To raise

With the right hand, pull lever up while taking your weight off chair

—

#### To lower

With the right hand, pull lever up while seated



### 2 - SEAT DEPTH ADJ. LEVER

#### To move forward / backward

With the right hand, pull lever up and, using your body weight, bring the seat to the desired position



### 3 - TILT LOCK / UNLOCK KNOB

#### To lock tilt recline

Bring the backrest to the desired position using your body weight and, with the left hand, rotate knob forwards

—

#### To unlock tilt recline

With the left hand, rotate knob backwards and unlock the tilt using your body weight



### 4 - TENSION ADJUSTMENT KNOB

#### To increase

With the right hand, rotate knob forwards

—

#### To decrease

With the right hand, rotate knob backwards

#### PRODUCT NAME

**Epron RV Trasla**

#### TYPE

**Synchro tilt mechanism**

#### FEATURES

**Height adjustment**

—

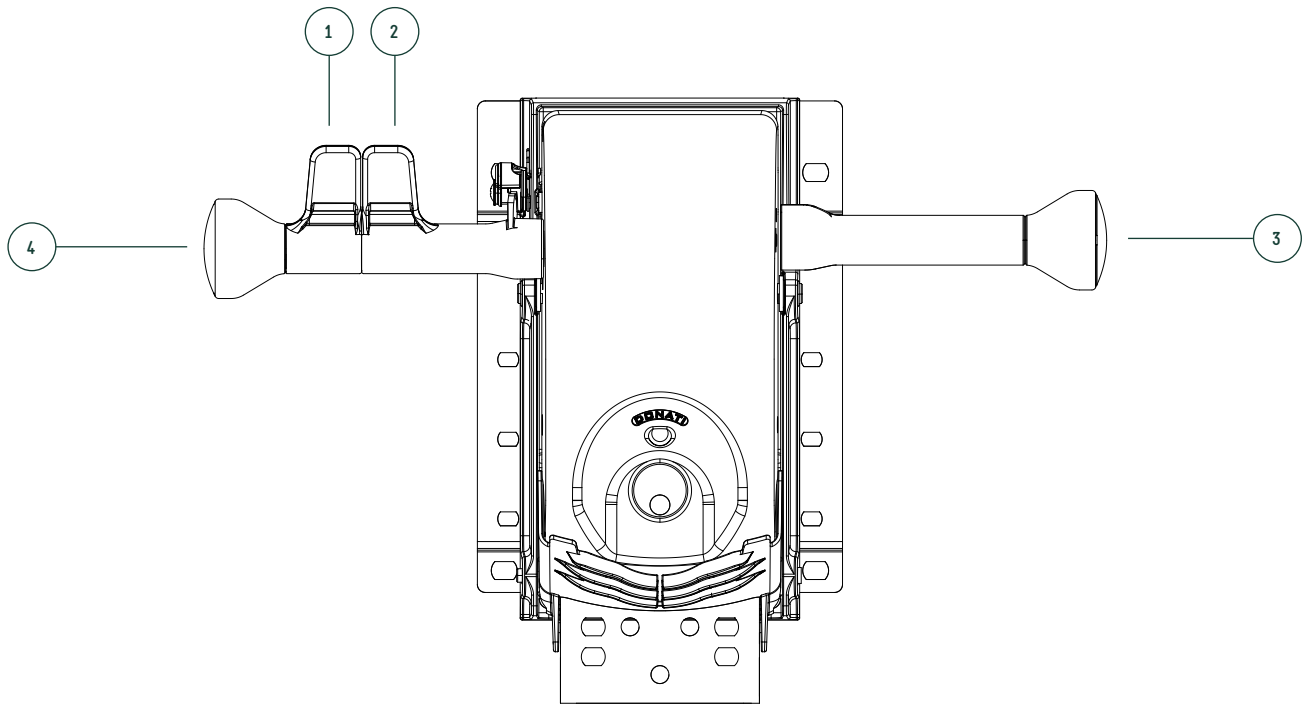
**Comfort adjustment**

—

**Tilt lock**

—

**Seat depth adjustment**



### 1 - HEIGHT ADJUSTMENT LEVER

#### To raise

With the right hand, pull lever up while taking your weight off chair

—

#### To lower

With the right hand, pull lever up while seated



### 2 - SEAT DEPTH ADJ. LEVER

#### To move forward / backward

With the right hand, pull lever up and, using your body weight, bring the seat to the desired position



### 3 - TRAVEL RESTRICTION KNOB

#### To decrease tilt range

With the left hand, rotate knob forwards

—

#### To increase tilt range

With the left hand, rotate knob backwards



### 4 - TENSION ADJUSTMENT KNOB

#### To increase

With the right hand, rotate knob forwards

—

#### To decrease

With the right hand, rotate knob backwards

#### PRODUCT NAME

**Epron RV Synchron**

#### TYPE

**Synchro tilt mechanism**

#### FEATURES

**Height adjustment**

—

**Comfort adjustment**

—

**Travel restriction**

—

**Seat depth adjustment**