

1 - TENSION ADJUSTMENT CRANK

To increase

With the right hand, extract crank and rotate it forwards

—

To decrease

With the right hand, extract crank and rotate it backwards



2 - FORWARD TILT ADJ. KNOB

To engage

With the left hand, rotate knob forwards and push backrest backwards using your body weight

—

To disengage

With the left hand, rotate knob backwards and unlock the tilt using your body weight



3 - TILT LOCK / UNLOCK LEVER

To lock tilt recline

Bring the backrest to the desired position using your body weight and, with the left hand, pull lever up

—

To unlock tilt recline

With the left hand, push lever down and unlock the tilt using your body weight



4 - HEIGHT ADJUSTMENT LEVER

To raise

With the right hand, pull lever up while taking your weight off chair

—

To lower

With the right hand, pull lever up while seated

PRODUCT NAME

Dynamic Plus

TYPE

Synchro tilt mechanism

FEATURES

Height adjustment

—

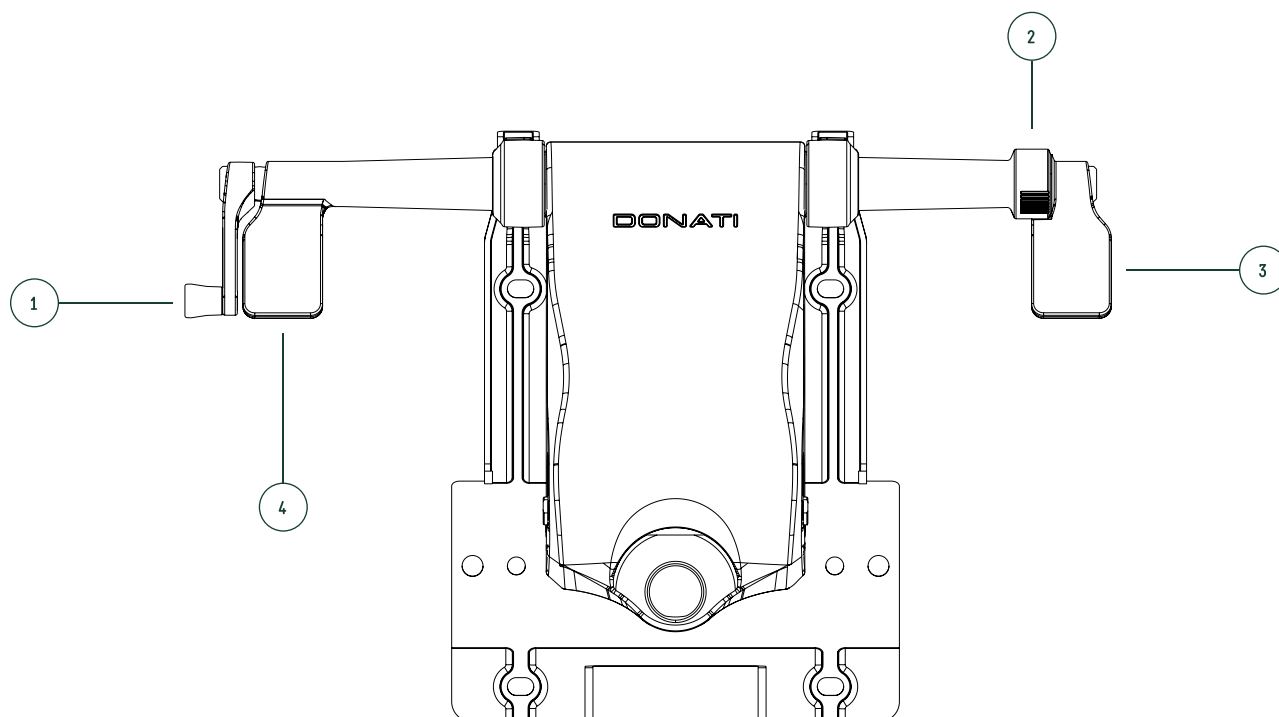
Comfort adjustment

—

Tilt lock

—

Forward tilt adjustment



3 - TENSION ADJUSTMENT CRANK

To increase

With the right hand, extract crank and rotate it forwards

—

To decrease

With the right hand, extract crank and rotate it backwards



2 - FORWARD TILT ADJ. KNOB

To engage

With the left hand, rotate knob forwards and push backrest backwards using your body weight

—

To disengage

With the left hand, rotate knob backwards and unlock the tilt using your body weight



3 - TRAVEL RESTRICTION LEVER

To decrease tilt range

With the left hand, pull lever up

—

To increase tilt range

With the left hand, push lever down



4 - HEIGHT ADJUSTMENT LEVER

To raise

With the right hand, pull lever up while taking your weight off chair

—

To lower

With the right hand, pull lever up while seated

PRODUCT NAME

Dynamic Plus

TYPE

Synchro tilt mechanism

FEATURES

Height adjustment

—

Comfort adjustment

—

Travel restriction

—

Forward tilt adjustment