

1 - HEIGHT ADJUSTMENT LEVER

To raise

With the right hand, pull lever up while taking your weight off chair

—

To lower

With the right hand, pull lever up while seated



2 - TILT LOCK / UNLOCK LEVER

To lock tilt recline

Bring the backrest to the desired position using your body weight and, with the left hand, pull lever up

—

To unlock tilt recline

With the left hand, push lever down and unlock the tilt using your body weight



3 - TENSION ADJUSTMENT KNOB

To increase

Rotate knob clockwise

—

To decrease

Rotate knob counterclockwise



4 - SEAT ANGLE ADJ. LEVER

To lock the seat (0° / -5°)

With the right hand, rotate lever forwards

—

To unlock the seat (Free float)

With the right hand, rotate lever backwards

PRODUCT NAME

D109 Flex

TYPE

Weight activated mechanism

FEATURES

Height adjustment

—

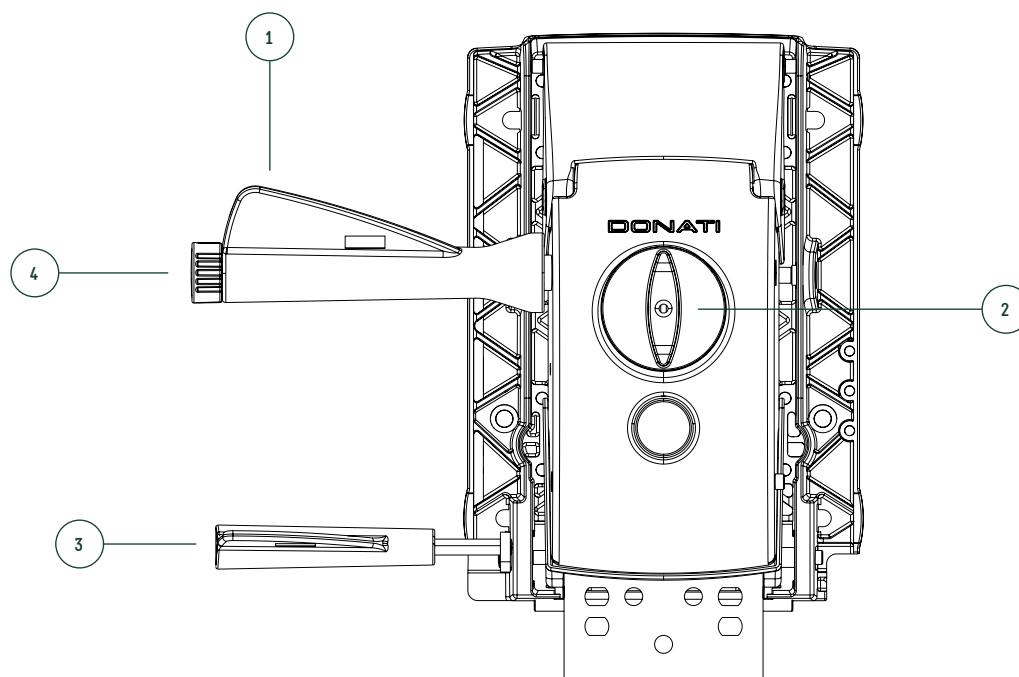
Comfort fine-tuning

—

Tilt lock

—

Seat angle adjustment



1 - HEIGHT ADJUSTMENT LEVER

To raise

With the right hand, pull lever up while taking your weight off chair

—

To lower

With the right hand, pull lever up while seated



2 - TENSION ADJUSTMENT KNOB

To increase

Rotate knob clockwise

—

To decrease

Rotate knob counterclockwise



3 - SEAT ANGLE ADJ. LEVER

To lock the seat (0° / -5°)

With the right hand, rotate lever forwards

—

To unlock the seat (Free float)

With the right hand, rotate lever backwards



4 - TRAVEL RESTRICTION KNOB

To decrease tilt range

With the right hand, rotate knob forwards

—

To increase tilt range

With the right hand, rotate knob backwards

PRODUCT NAME

D109 Flex and travel restriction

TYPE

Weight activated mechanism

FEATURES

Height adjustment

—

Comfort fine-tuning

—

Travel restriction

—

Seat angle adjustment