

1 - ARMREST HEIGHT ADJUSTMENT BUTTON

To raise

Push button and pull arm up to
desired height

—

To lower

Push button and pull arm down to
desired height



2 - PAD WIDTH / DEPTH ADJUSTMENT SYSTEM

To adjust depth

Push PAD forward or back to desired
position

—

To adjust width

Pull PAD in or push out



3 - ARMREST WIDTH ADJUSTMENT SYSTEM

To unlock

Loose the provided fixing system
(lever / screw)

—

To lock

Tighten the provided fixing system
(lever / screw)

PRODUCT NAME
BeO 4D 12°

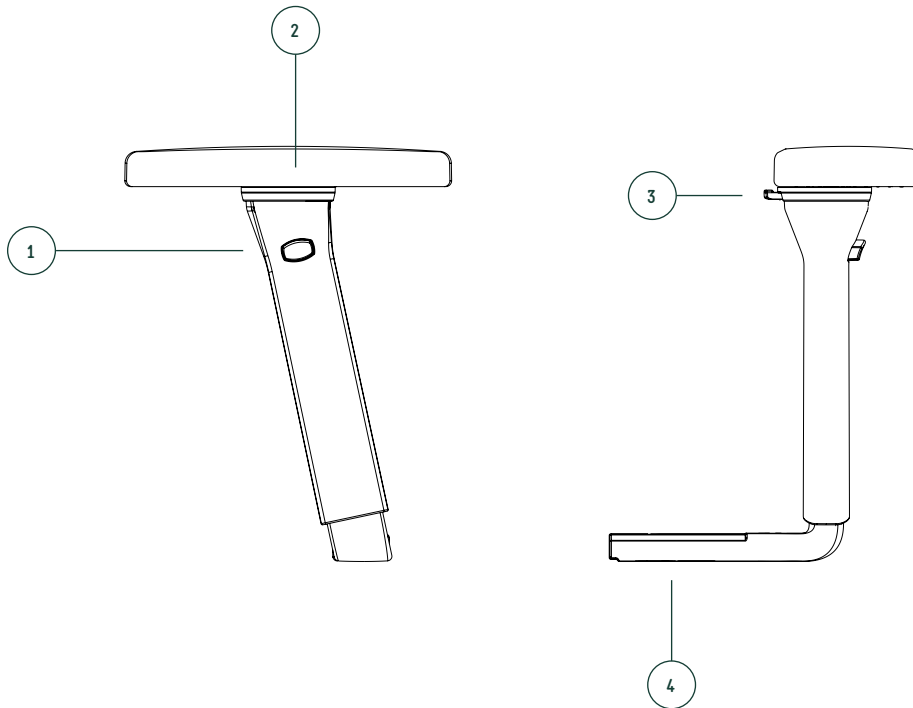
TYPE
Adjustable armrest

FEATURES *
**Armrest height
adjustment**

—
**Armrest width
adjustment**

—
**Pad width / depth
adjustment**

[*] THE FEATURES MAY DIFFER
ACCORDING TO THE TYPE OF
SELECTED PRODUCT



1 - ARMREST HEIGHT ADJUSTMENT BUTTON

To raise

Push button and pull arm up to desired height

—

To lower

Push button and pull arm down to desired height



2 - PAD DEPTH ADJUSTMENT SYSTEM

To move forward

Push PAD forward or back to desired position

—

To move backward

Pull PAD in or push out



3 - PAD WIDTH ADJUSTMENT BUTTON

To adjust

Push button and rotate the PAD to the desired position



4 - ARMREST WIDTH ADJUSTMENT SYSTEM

To unlock

Loose the provided fixing system (lever / screw)

—

To lock

Tighten the provided fixing system (lever / screw)

PRODUCT NAME

BeO 4D 12° with rotating PAD and position lock

TYPE

Adjustable armrest

FEATURES *

Armrest height adjustment

—

Armrest width adjustment

—

PAD rotation

—

PAD depth adjustment

[*] THE FEATURES MAY DIFFER ACCORDING TO THE TYPE OF SELECTED PRODUCT