

1 - ARMREST HEIGHT ADJUSTMENT BUTTON

To raise

Push button and pull arm up to
desired height

—

To lower

Push button and pull arm down to
desired height



2 - PAD WIDTH / DEPTH ADJUSTMENT SYSTEM

To adjust depth

Push PAD forward or back to desired
position

—

To adjust width

Pull PAD in or push out



3 - ARMREST WIDTH ADJUSTMENT SYSTEM

To unlock

Loose the provided fixing system
(lever / screw)

—

To lock

Tighten the provided fixing system
(lever / screw)

PRODUCT NAME

**BeO 2D with sliding
PAD**

TYPE

Adjustable armrest

FEATURES

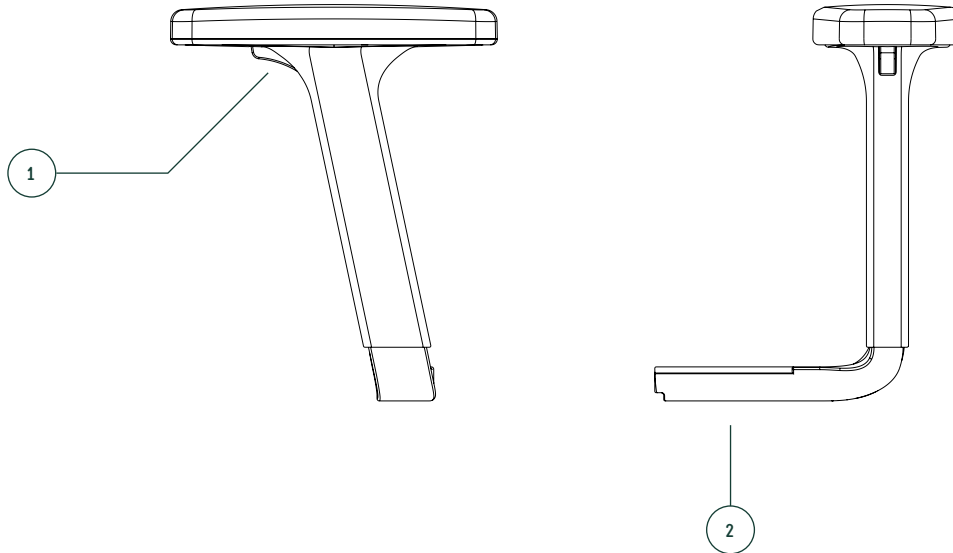
**Armrest height
adjustment**

—

**Armrest width
adjustment**

—

**Pad width / depth
adjustment**



1 - ARMREST HEIGHT ADJUSTMENT BUTTON

To raise

Push button and pull arm up to
desired height

—

To lower

Push button and pull arm down to
desired height



2 - ARMREST WIDTH ADJUSTMENT SYSTEM

To unlock

Loose the provided fixing system
(lever / screw)

—

To lock

Tighten the provided fixing system
(lever / screw)

PRODUCT NAME

BeO 2D

TYPE

Adjustable armrest

FEATURES

**Armrest height
adjustment**

—

**Armrest width
adjustment**