

### 1 - ARMREST HEIGHT ADJUSTMENT BUTTON

#### To raise

Push button and pull arm up to  
desired height

—

#### To lower

Push button and pull arm down to  
desired height



### 2 - PAD WIDTH / DEPTH ADJUSTMENT SYSTEM

#### To adjust depth

Push PAD forward or back to desired  
position

—

#### To adjust width

Pull PAD in or push out

#### PRODUCT NAME

**BeO 1D with sliding  
PAD**

#### TYPE

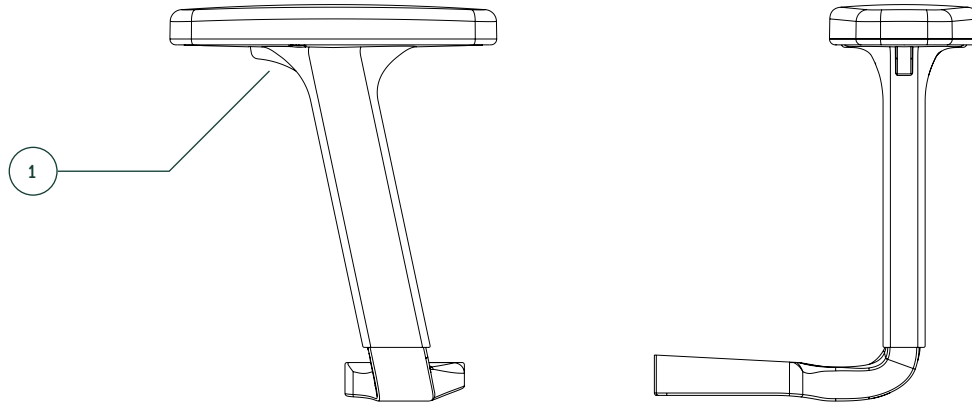
**Adjustable armrest**

#### FEATURES

**Armrest height  
adjustment**

—

**Pad width / depth  
adjustment**



### 1 - ARMREST HEIGHT ADJUSTMENT BUTTON

#### To raise

Push button and pull arm up to  
desired height

—

#### To lower

Push button and pull arm down to  
desired height

PRODUCT NAME

**BeO 1D**

TYPE

**Adjustable armrest**

FEATURES

**Armrest height  
adjustment**