

SPECIFICATIONS	
TYPE	Bolt-on sliding plate for wooden seats
SEAT DEPTH ADJUSTMENT	50,0 mm [1.97 in], by integrated lever
LOCKING POSITIONS	5 positions
MECHANISM CONNECTION	<ul style="list-style-type: none"> — Donati universal seat plate — Bolt-on plate 153 x 200 mm [6.02 x 7.87 in] — Bolt-on plate 200 x 200 mm [7.87 x 7.87 in]

PRODUCT CODES

.....

TRASLA

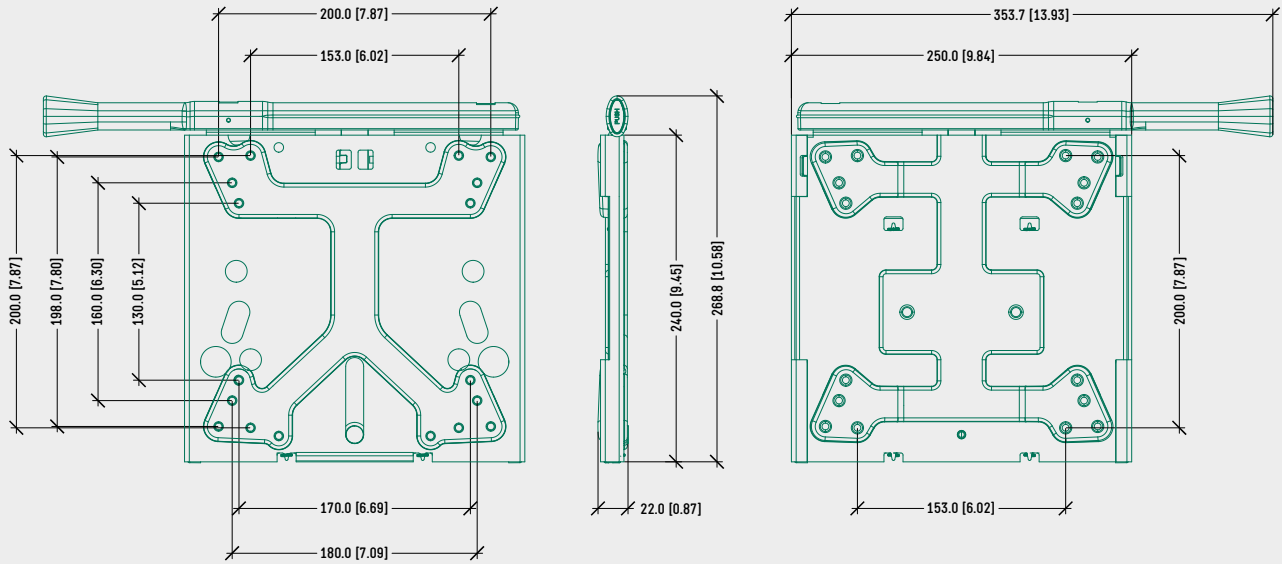
1070001

TECHNICAL DRAWING

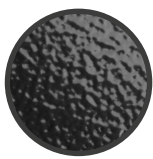
TRASLA

BOTTOM (MECHANISM CONNECTION)

TOP (SEAT CONNECTION)

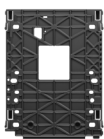


SURFACE COLOURS / FINISHES



BLACK PAINTED STEEL ADAPTER

RELATED PRODUCTS



DONATI UNIVERSAL SEAT PLATE CONNECTION MECHANISMS



DONATI BOLT-ON SEAT PLATE MECHANISMS



BOLT-ON SEATS CONNECTION