

BLACK OR CHROME
COVER AVAILABLE

SPECIFICATIONS

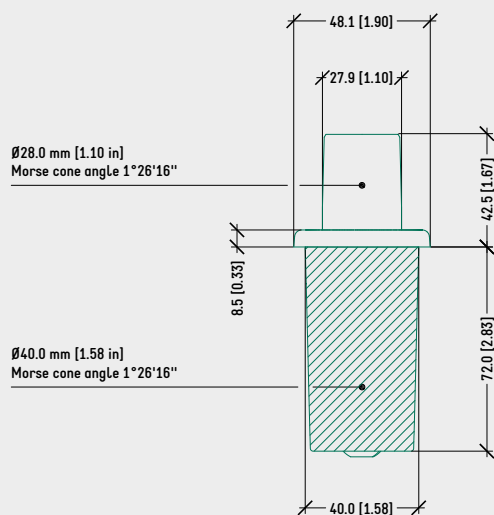
TYPE	Swivel support
EXTERNAL DIAMETER	40 mm [1.6 in]
MECHANISM CONN. DIAMETER	28 mm [1.1 in]
EXT. TAPER HEIGHT (∅ 40 mm)	72 mm [2.8 in]
EXTENSION	– 42,5 mm [1.67 in] – 62,5 mm [2.46 in] – 82,5 mm [3.25 in] – 102,5 mm [4.04 in]
COVER SURFACE FINISH	– Chrome (Plastic) – Black
ITEMS PER BOX	20 / 16
BOXES PER PALLET [MOQ]	60 boxes (1200 / 960 items)
PALLET SIZE [LxWxH]	80 x 120 x 210 cm [31.5 x 47.2 x 82.7 in]

PRODUCT CODES

.....	
<u>SWIVEL SUPPORT 40 mm [NO COVER]</u>	4510160
<u>SWIVEL SUPPORT 60 mm</u>	4510161
CHROME COVER	4510170
BLACK COVER	4510171
<u>SWIVEL SUPPORT 80 mm</u>	4510162
CHROME COVER	4510172
BLACK COVER	4510173
<u>SWIVEL SUPPORT 100 mm</u>	4510163
CHROME COVER	4510174
BLACK COVER	4510175

TECHNICAL DRAWING

SWIVEL SUPPORT 40 mm (NO COVER)



SURFACE COLOURS / FINISHES



BLACK PLASTIC HOUSING

RELATED PRODUCTS



SUPERLEGGERA
4 STAR BASE — HIGH
MORSE CONE ∅ 40 mm
CODE: 5010480



UNICA
4 STAR BASE
MORSE CONE ∅ 40 mm
CODE: 5010430



SUPERLEGGERO
SWIVEL SUPPORT
(W/O HEIGHT ADJ.)
CODE: 1050610



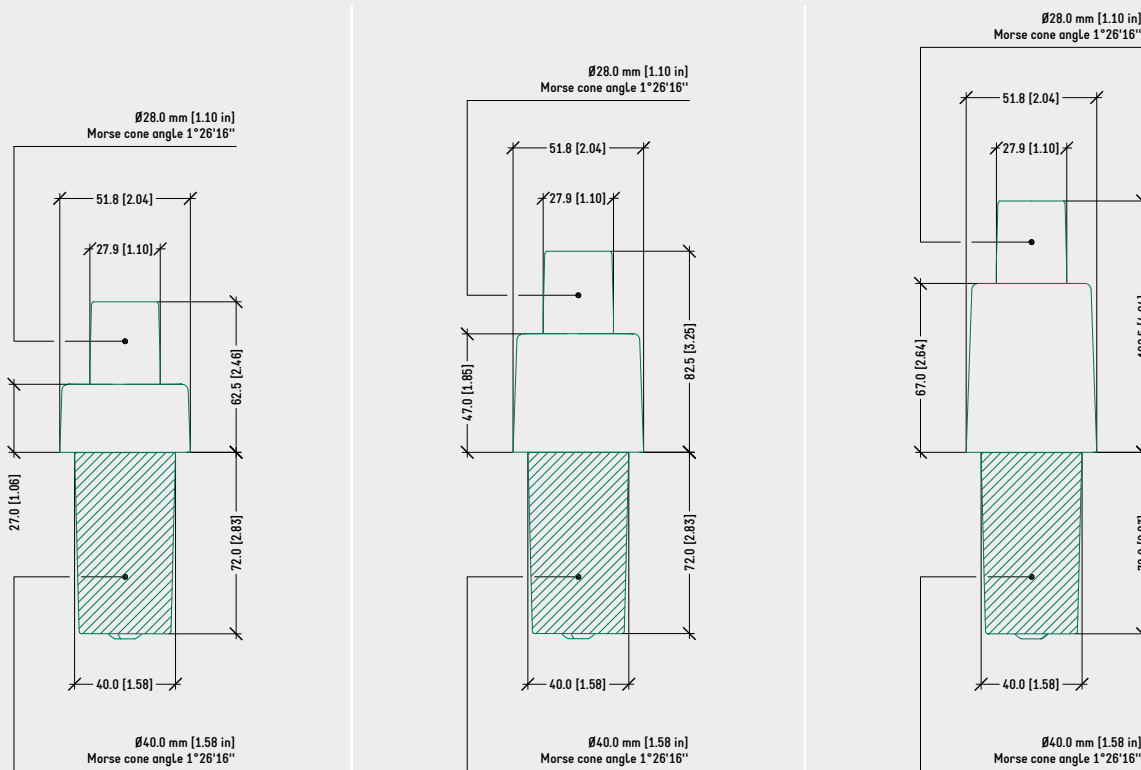
SPIDER
SWIVEL SUPPORT
(W/O HEIGHT ADJ.)
CODE: 1050540



ARMONICO COLLECTION
(W/O HEIGHT ADJ.)

TECHNICAL DRAWING

SWIVEL SUPPORT 60 / 80 / 100 mm



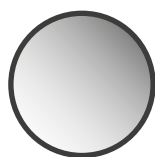
SURFACE COLOURS / FINISHES



BLACK PLASTIC HOUSING



BLACK PLASTIC COVER



CHROME PLASTIC COVER

RELATED PRODUCTS



SUPERLEGGERA
4 STAR BASE — HIGH
MORSE CONE Ø 40 mm
CODE: 5010480



UNICA
4 STAR BASE
MORSE CONE Ø 40 mm
CODE: 5010430



SUPERLEGGERO
SWIVEL SUPPORT
[W/O HEIGHT ADJ.]
CODE: 1050610



SPIDER
SWIVEL SUPPORT
[W/O HEIGHT ADJ.]
CODE: 1050540



ARMONICO COLLECTION
[W/O HEIGHT ADJ.]