

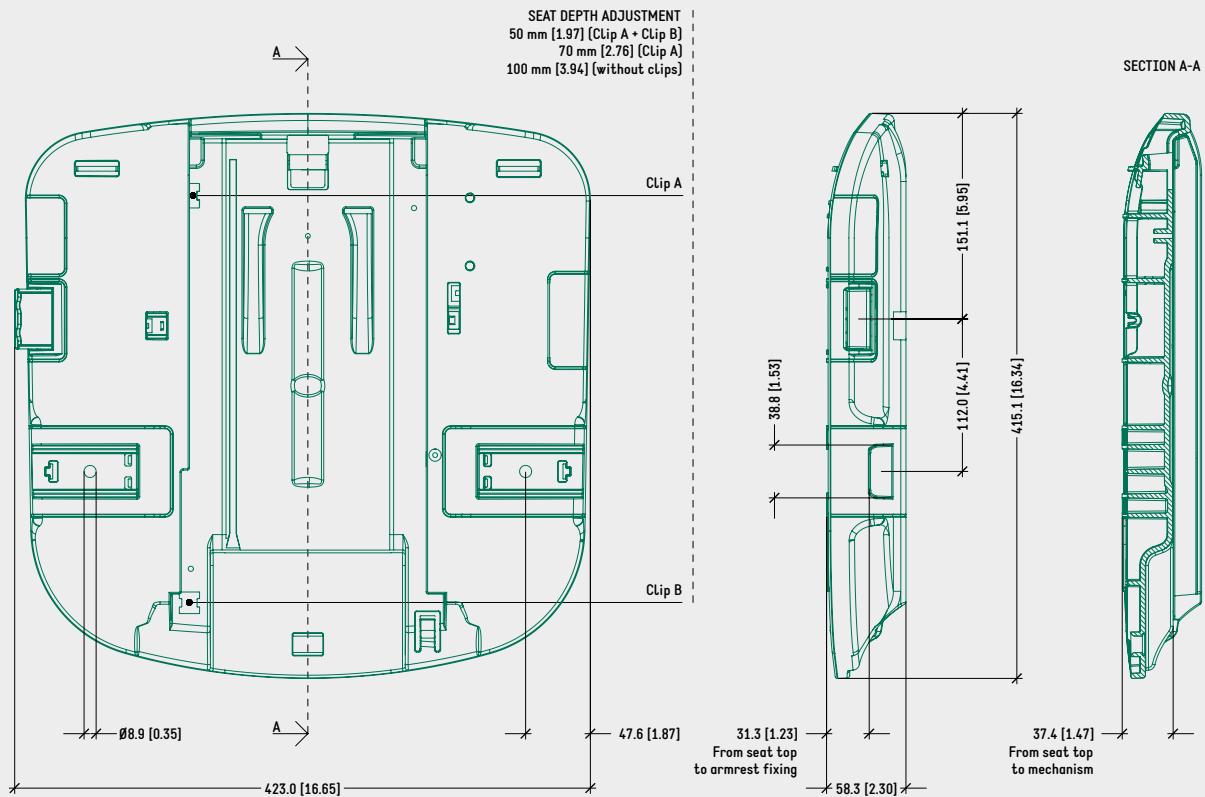
SPECIFICATIONS	
TYPE	Quick connection seat with upholstery plate
SEAT DEPTH ADJUSTMENT	<ul style="list-style-type: none"> <li>— 50,0 mm [1.97 in] (with 2 clips)</li> <li>— 70,0 mm [2.76 in] (with 1 clip)</li> <li>— 100,0 mm [3.94 in] (without clips)</li> </ul>
CERTIFICATIONS	<ul style="list-style-type: none"> <li>— EN1335</li> <li>— BIFMA (Fixed armrest version <u>excluded</u>)</li> </ul>
UPHOLSTERY FIXING	By quick connection upholstery plate
ARMREST CONNECTION	<ul style="list-style-type: none"> <li>— Type-B armrest interface</li> <li>— Type-N armrest interface</li> </ul>
MECHANISM CONNECTION	<ul style="list-style-type: none"> <li>— Donati quick connection sliding seat rails</li> <li>— Donati universal seat plate</li> </ul>
ITEMS PER BOX	36
BOXES PER PALLET (MOQ)	4 boxes (144 items)
PALLET SIZE [LxWxH]	80 x 120 x 210 cm [31.5 x 47.2 x 82.7 in]

## PRODUCT CODES

<u>TRASLA 2</u>	
FIXED ARMREST (TYPE-B INTERFACE)	4515196
WIDTH ADJ. ARMREST (TYPE-B INTERFACE)	4515193
WIDTH ADJ. ARMREST (TYPE-N INTERFACE)	4515195
<u>UPHOLSTERY PLATE</u>	
SMALL	4515173
LARGE	4515171
LARGE WITH PU FOAM	4580055
<u>INSTRUCTION HOLDER</u>	4501028

TECHNICAL DRAWING

TRASLA 2 - FIXED ARMREST (TYPE-B INTERFACE)



SURFACE COLOURS / FINISHES



PHOTOENGRAVED  
(NOVATEX 7381)  
SEAT



BLACK PLASTIC  
UPHOLSTERY PLATE

TYPE-B ARMREST FIXING KIT CODES

FOR ALUMINIUM ARMREST

FIXED - W/O ARMBAR (EN1335) 4501700

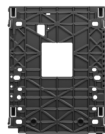
FOR NYLON ARMREST

FIXED - W/O ARMBAR (EN1335) 4501700

RELATED PRODUCTS



DONATI SEAT  
RAILS CONNECTION  
MECHANISMS



DONATI UNIVERSAL  
SEAT PLATE CONNECTION  
MECHANISMS



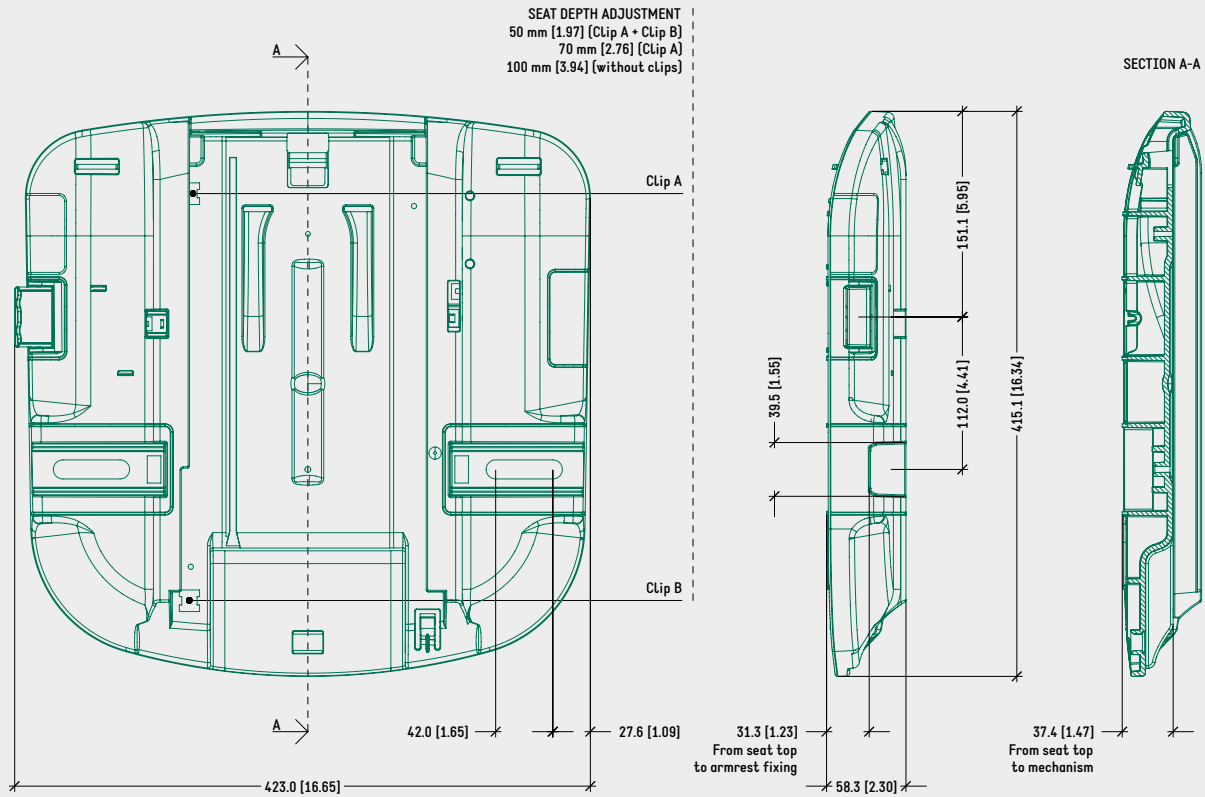
INSTRUCTION HOLDER  
CODE: 4501028



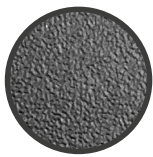
TYPE-B ARMREST  
INTERFACE CONNECTION  
ONLY

TECHNICAL DRAWING

TRASLA 2 - WIDTH ADJ. ARMREST (TYPE-B INTERFACE)



SURFACE COLOURS / FINISHES



PHOTOENGRAVED  
(NOVATEX 7381)  
SEAT



BLACK PLASTIC  
UPHOLSTERY PLATE

TYPE-B ARMREST FIXING KIT CODES

FOR ALUMINIUM ARMREST

WIDTH ADJUSTABLE - WITH ARMBAR (EN1335) 4500167

WIDTH ADJUSTABLE - WITH ARMBAR (BIFMA) 4500117

FOR NYLON ARMREST

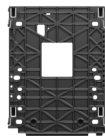
WIDTH ADJUSTABLE - WITH ARMBAR (EN1335) 4500167

WIDTH ADJUSTABLE - WITH ARMBAR (BIFMA) 4500169

RELATED PRODUCTS



DONATI SEAT  
RAILS CONNECTION  
MECHANISMS



DONATI UNIVERSAL  
SEAT PLATE CONNECTION  
MECHANISMS



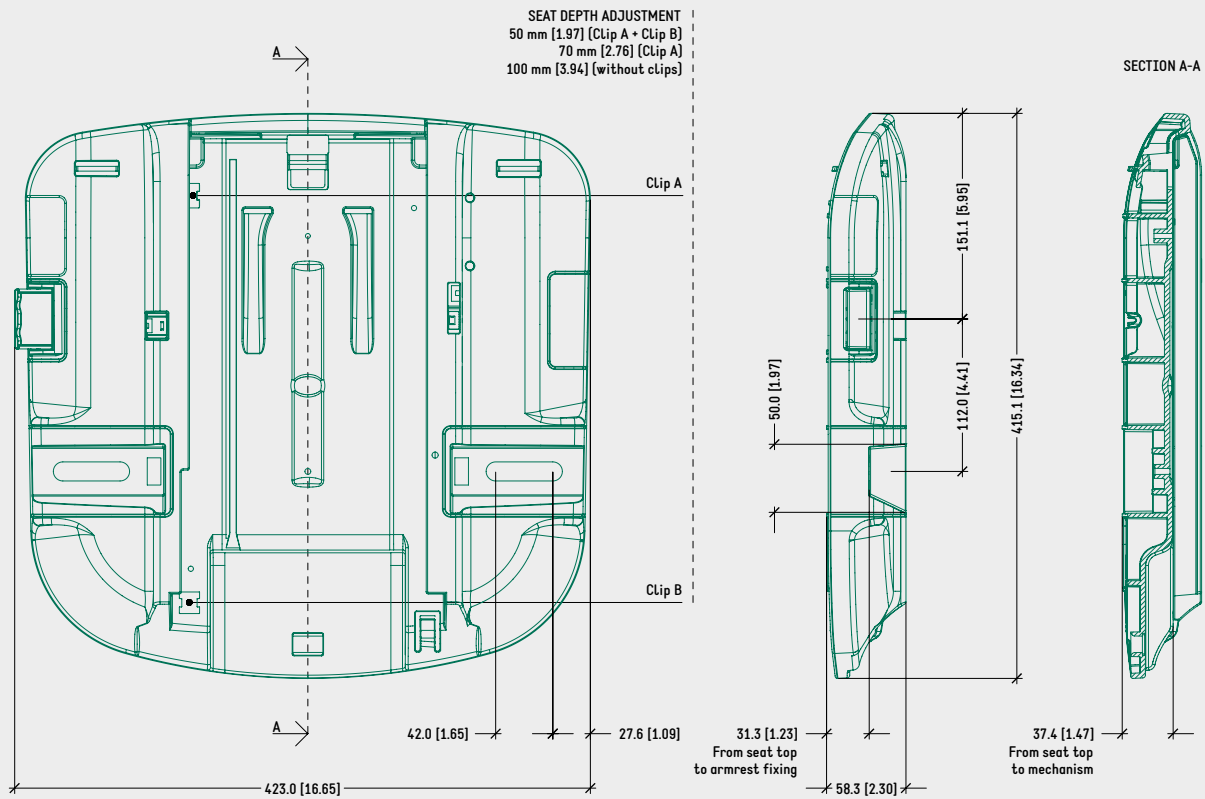
INSTRUCTION HOLDER  
CODE: 4501028



TYPE-B ARMREST  
INTERFACE CONNECTION  
ONLY

TECHNICAL DRAWING

TRASLA 2 - WIDTH ADJ. ARMREST (TYPE-N INTERFACE)



SURFACE COLOURS / FINISHES



PHOTOENGRAVED  
(NOVATEX 7381)  
SEAT



BLACK PLASTIC  
UPHOLSTERY PLATE

TYPE-N ARMREST FIXING KIT CODES

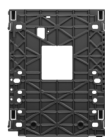
FOR NYLON ARMREST

WIDTH ADJUSTABLE - WITH ARMBAR (BIFMA) 4501112

RELATED PRODUCTS



DONATI SEAT  
RAILS CONNECTION  
MECHANISMS



DONATI UNIVERSAL  
SEAT PLATE CONNECTION  
MECHANISMS



INSTRUCTION HOLDER  
CODE: 4501028

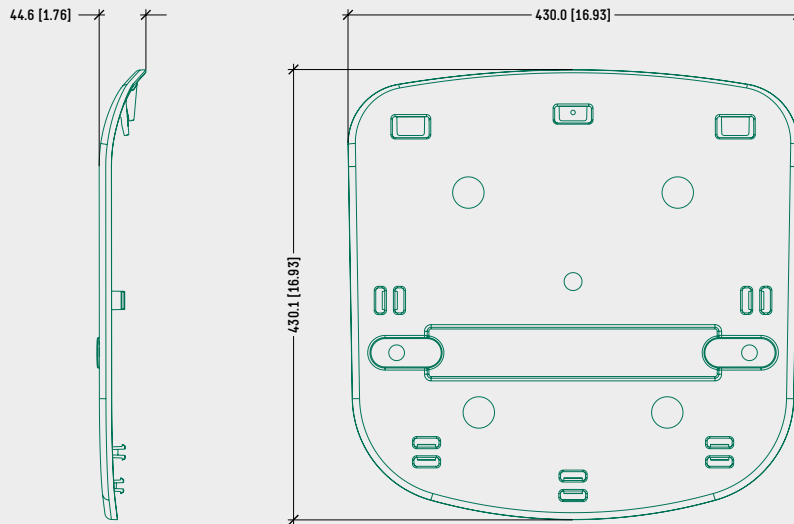


TYPE-N ARMREST  
INTERFACE CONNECTION  
ONLY

TECHNICAL DRAWING

SMALL UPHOLSTERY PLATE

4515173



TECHNICAL DRAWING

LARGE UPHOLSTERY PLATE

4515171

