

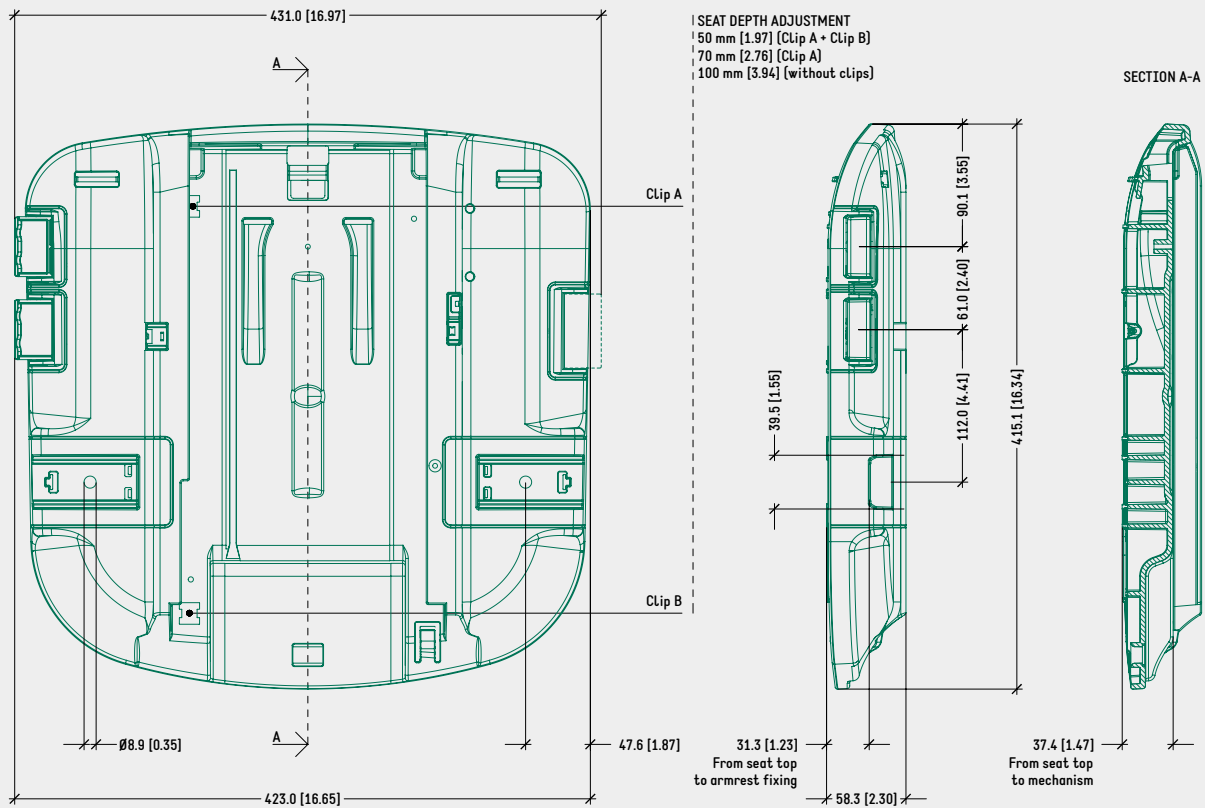
SPECIFICATIONS	
TYPE	Cable activation seat with upholstery plate
SEAT DEPTH ADJUSTMENT	<ul style="list-style-type: none"> <li>— 50,0 mm [1.97 in] (with 2 clips)</li> <li>— 70,0 mm [2.76 in] (with 1 clip)</li> <li>— 100,0 mm [3.94 in] (without clips)</li> </ul>
INTEGRATED FUNCTIONS	<ul style="list-style-type: none"> <li>— Height adjustment, by lever</li> <li>— Backrest tilt lock, by lever</li> </ul>
CERTIFICATIONS	<ul style="list-style-type: none"> <li>— EN1335</li> <li>— BIFMA (Fixed armrest version excluded)</li> </ul>
UPHOLSTERY FIXING	By quick connection upholstery plate
ARMREST CONNECTION	<ul style="list-style-type: none"> <li>— Type-B armrest interface</li> <li>— Type-N armrest interface</li> </ul>
MECHANISM CONNECTION	D109 Cable only (1062950)
ITEMS PER BOX	36
BOXES PER PALLET (MOQ)	4 boxes (144 items)
PALLET SIZE [LxWxH]	80 x 120 x 210 cm [31.5 x 47.2 x 82.7 in]

## PRODUCT CODES

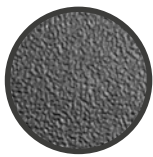
<u>TRASLA 2 CABLE - FIXED ARMREST (TYPE-B INTERFACE)</u>	
WITH HEIGHT ADJUSTMENT	4515198
WITH HEIGHT ADJUSTMENT & TILT LOCK	4515197
<u>TRASLA 2 CABLE - WIDTH ADJ. ARMREST (TYPE-B INTER.)</u>	
WITH HEIGHT ADJUSTMENT	4515192
WITH HEIGHT ADJUSTMENT & TILT LOCK	4515190
<u>TRASLA 2 CABLE - WIDTH ADJ. ARMREST (TYPE-N INTER.)</u>	
WITH HEIGHT ADJUSTMENT	4515194
WITH HEIGHT ADJUSTMENT & TILT LOCK	4515191
<u>UPHOLSTERY PLATE</u>	
SMALL	4515173
LARGE	4515171
LARGE WITH PU FOAM	4580055
<u>PORTA ISTRUZIONI</u>	4501028

TECHNICAL DRAWING

TRASLA 2 CABLE - FIXED ARMREST (TYPE-B INTERFACE)



SURFACE COLOURS / FINISHES



PHOTOENGRAVED  
(NOVATEX 7381)  
SEAT



BLACK PLASTIC  
UPHOLSTERY PLATE

TYPE-B ARMREST FIXING KIT CODES

FOR ALUMINIUM ARMREST

FIXED - W/O ARMBAR (EN1335) 4501700

FOR NYLON ARMREST

FIXED - W/O ARMBAR (EN1335) 4501700

RELATED PRODUCTS



DONATI D109 CABLE  
MECHANISM  
CODE: 1062950



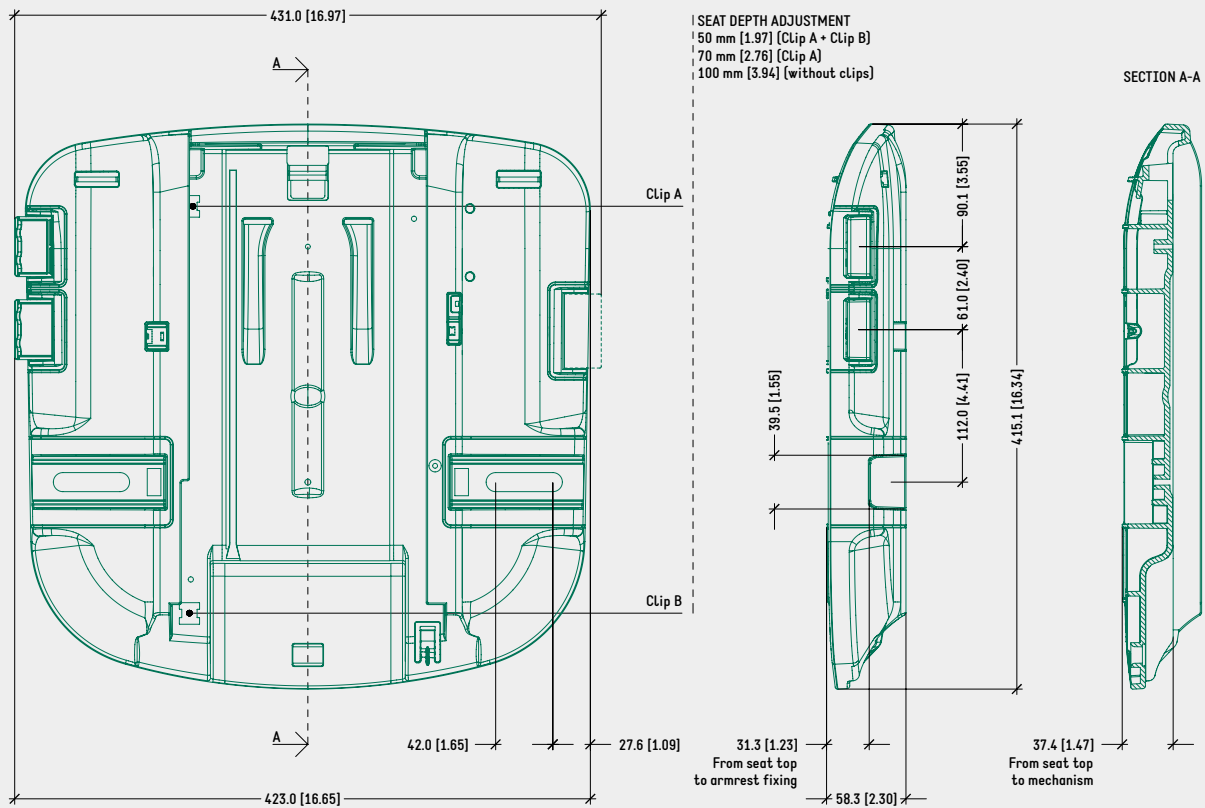
INSTRUCTION HOLDER  
CODE: 4501028



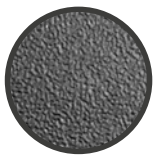
TYPE-B ARMREST  
INTERFACE CONNECTION  
ONLY

TECHNICAL DRAWING

TRASLA 2 CABLE - WIDTH ADJ. ARMREST (TYPE-B INTERFACE)



SURFACE COLOURS / FINISHES



PHOTOENGRAVED  
(NOVATEX 7381)  
SEAT



BLACK PLASTIC  
UPHOLSTERY PLATE

TYPE-B ARMREST FIXING KIT CODES

FOR ALUMINIUM ARMREST

WIDTH ADJUSTABLE - WITH ARMBAR (EN1335) 4500167

WIDTH ADJUSTABLE - WITH ARMBAR (BIFMA) 4500117

FOR NYLON ARMREST

WIDTH ADJUSTABLE - WITH ARMBAR (EN1335) 4500167

WIDTH ADJUSTABLE - WITH ARMBAR (BIFMA) 4500169

RELATED PRODUCTS



DONATI D109 CABLE  
MECHANISM  
CODE: 1062950



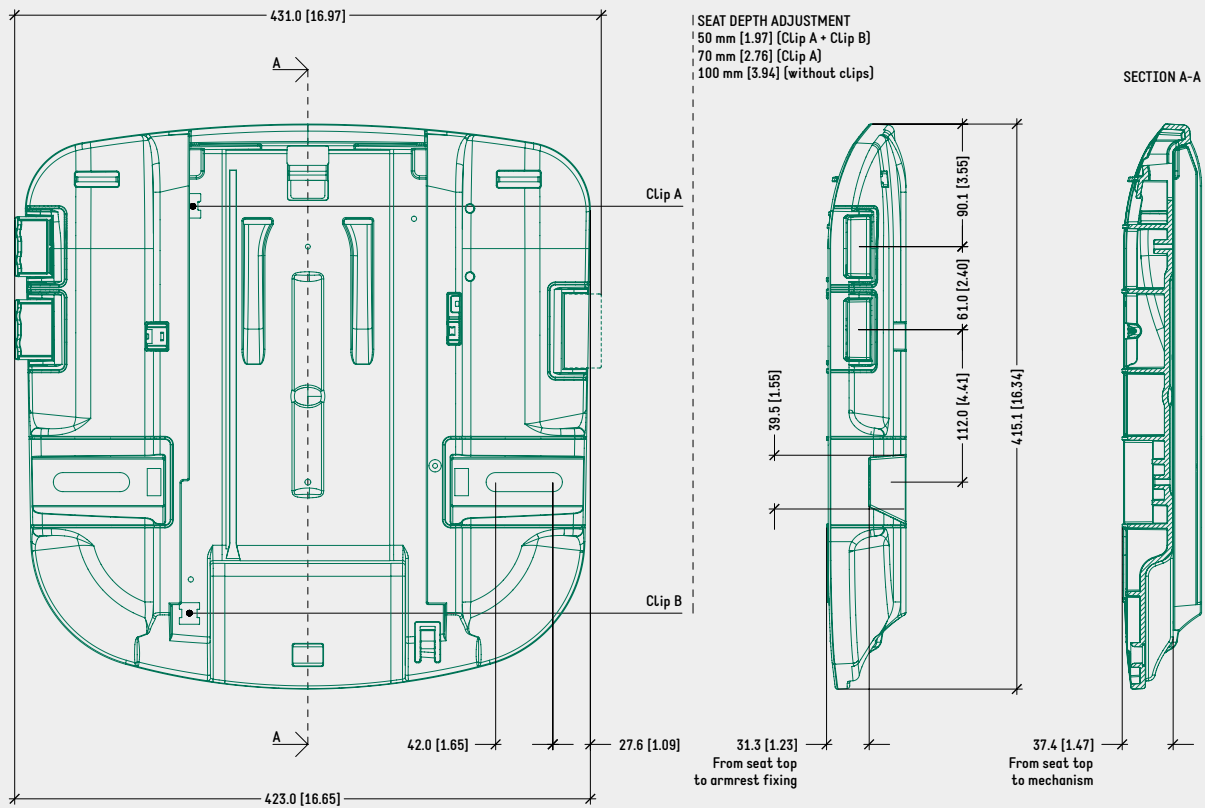
INSTRUCTION HOLDER  
CODE: 4501028



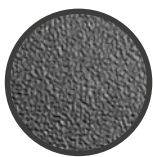
TYPE-B ARMREST  
INTERFACE CONNECTION  
ONLY

TECHNICAL DRAWING

TRASLA 2 CABLE - WIDTH ADJ. ARMREST (TYPE-N INTERFACE)



SURFACE COLOURS / FINISHES



PHOTOENGRAVED  
(NOVATEX 7381)  
SEAT



BLACK PLASTIC  
UPHOLSTERY PLATE

TYPE-N ARMREST FIXING KIT CODES

FOR NYLON ARMREST

WIDTH ADJUSTABLE - WITH ARMBAR (BIFMA) 4501112

RELATED PRODUCTS



DONATI D109 CABLE  
MECHANISM  
CODE: 1062950



INSTRUCTION HOLDER  
CODE: 4501028

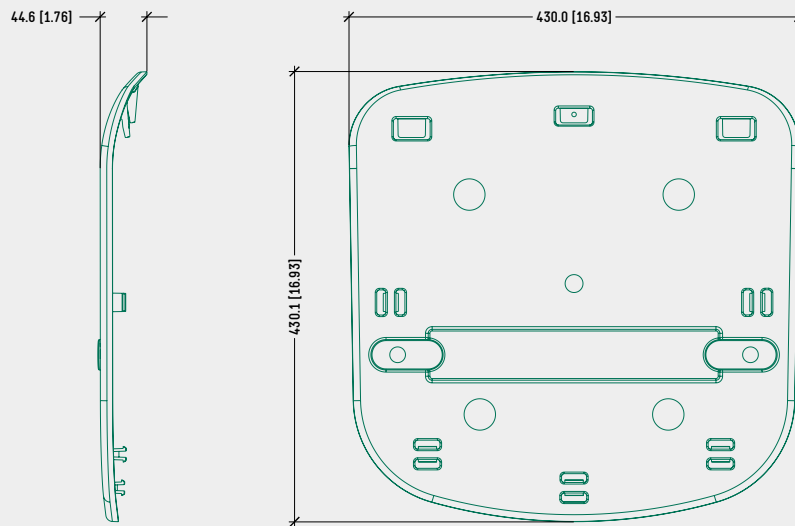


TYPE-N ARMREST  
INTERFACE CONNECTION  
ONLY

TECHNICAL DRAWING

SMALL UPHOLSTERY PLATE

4515173



TECHNICAL DRAWING

LARGE UPHOLSTERY PLATE

4515171

