

SPECIFICATIONS

| | |
|-----------------------|---|
| TYPE | Quick connection seat with upholstery plate |
| SEAT DEPTH ADJUSTMENT | 70,0 mm [2.76 in] |
| CERTIFICATIONS | <ul style="list-style-type: none"> — EN1728 — BIFMA X5.1 |
| UPHOLSTERY FIXING | By quick connection upholstery plate |
| ARMREST CONNECTION | <ul style="list-style-type: none"> — Type-N armrest interface — Type-V55 armrest interface |
| MECHANISM CONNECTION | <ul style="list-style-type: none"> — Donati quick connection sliding seat rails — Donati universal seat plate |

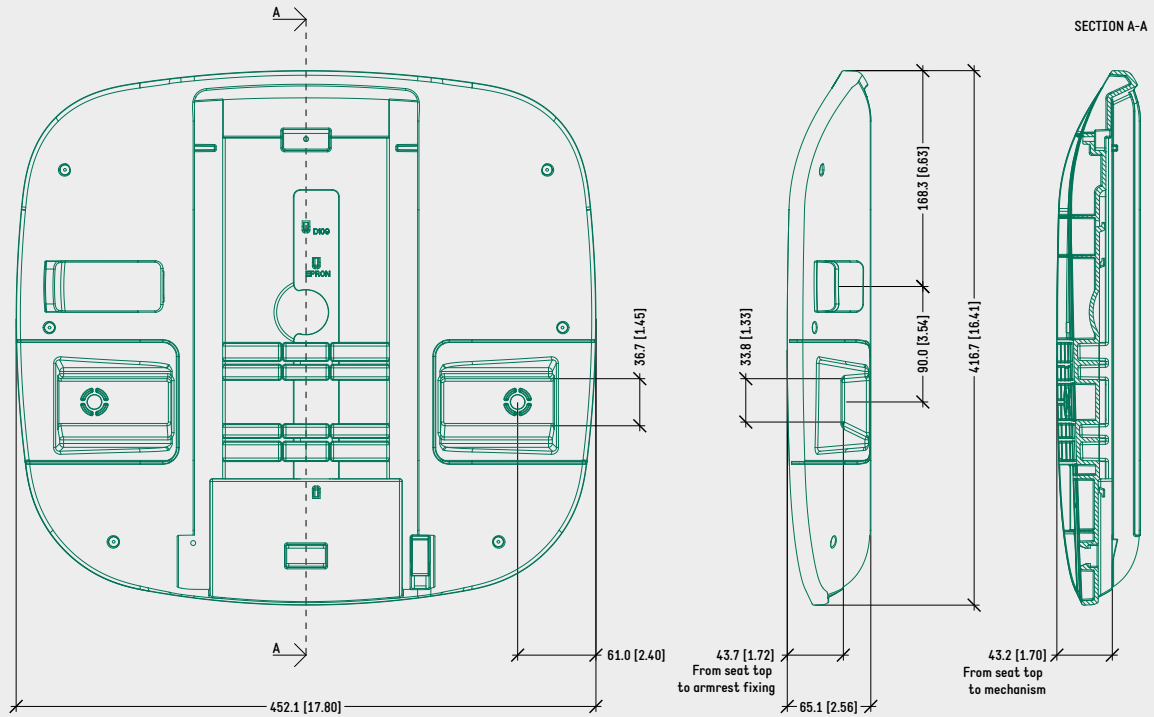
PRODUCT CODES

QUARTZ

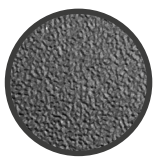
| | |
|---------------------------------------|---------|
| | |
| WIDTH ADJ. ARMREST (TYPE-N INTERFACE) | 4515740 |
| FIXED ARMREST (TYPE-V55 INTERFACE) | 4515741 |
| UPHOLSTERY PLATE | 4515742 |

TECHNICAL DRAWING

QUARTZ - ADJUSTABLE ARMREST (TYPE-N INTERFACE)



SURFACE COLOURS / FINISHES



PHOTOENGRAVED
(NOVATEX 7381)
SEAT

TYPE-N ARMREST FIXING KIT CODES

FOR NYLON ARMREST

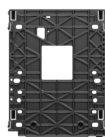
WIDTH ADJUSTABLE - W/O ARMBAR

4501720

RELATED PRODUCTS



DONATI SEAT
RAILS CONNECTION
MECHANISMS



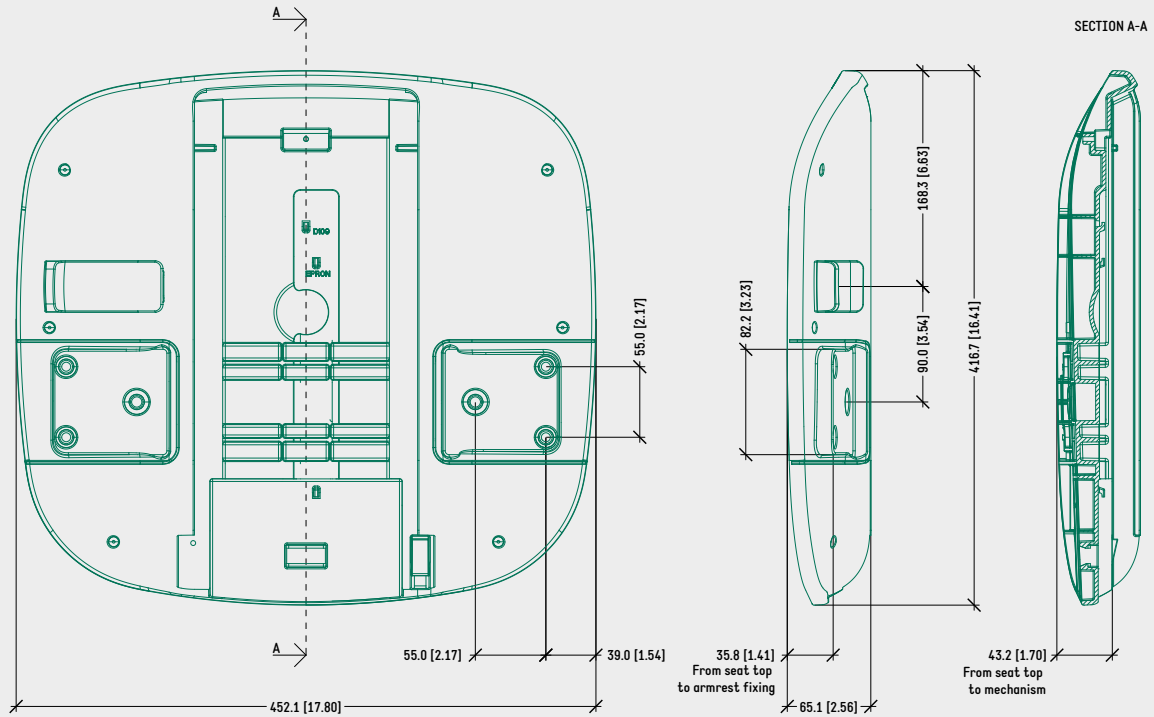
DONATI UNIVERSAL
SEAT PLATE CONNECTION
MECHANISMS



TYPE-N ARMREST
INTERFACE CONNECTION
ONLY

TECHNICAL DRAWING

QUARTZ - FIXED ARMREST (TYPE-V55 INTERFACE)



SURFACE COLOURS / FINISHES



PHOTOENGRAVED
(NOVATEX 7381)
SEAT

TYPE-V55 ARMREST FIXING KIT CODES

FOR NYLON ARMREST

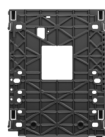
FIXED - W/O ARMBAR

4501707

RELATED PRODUCTS



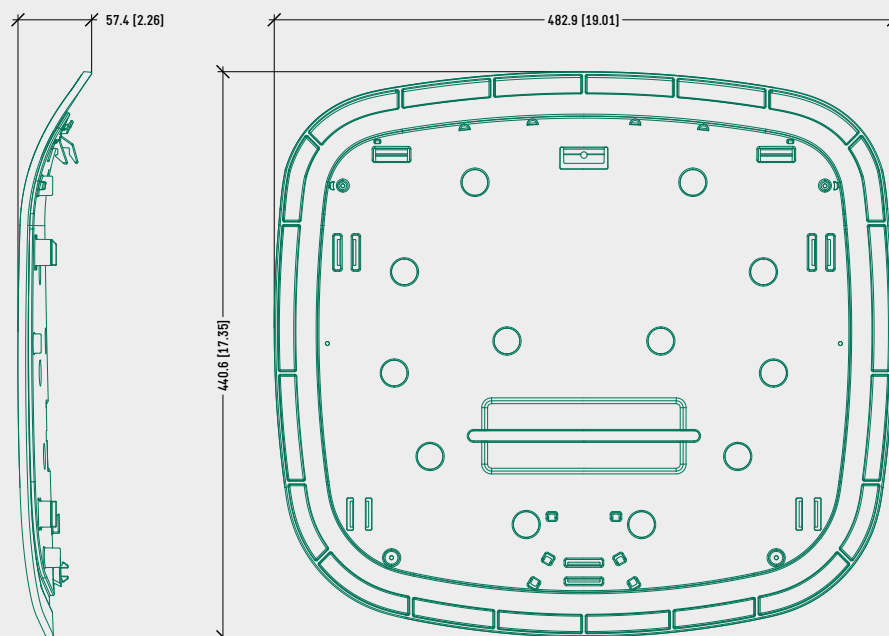
DONATI SEAT
RAILS CONNECTION
MECHANISMS



DONATI UNIVERSAL
SEAT PLATE CONNECTION
MECHANISMS



TYPE-V55 ARMREST
INTERFACE CONNECTION
ONLY



SURFACE COLOURS / FINISHES

BLACK PLASTIC
UPHOLSTERY PLATE