



SPECIFICATIONS

TYPE	Quick connection mesh seat
SEAT DEPTH ADJUSTMENT	— 50,0 mm [1.97 in] (with 2 clips) — 70,0 mm [2.76 in] (with 1 clip) — 100,0 mm [3.94 in] (without clips)
CERTIFICATIONS	— EN1335 — BIFMA
MESH FIXING	By quick fixing system
ARMREST CONNECTION	— Type-B armrest interface — Type-N armrest interface
MECHANISM CONNECTION	— Donati quick connection sliding seat rails — Donati universal seat plate

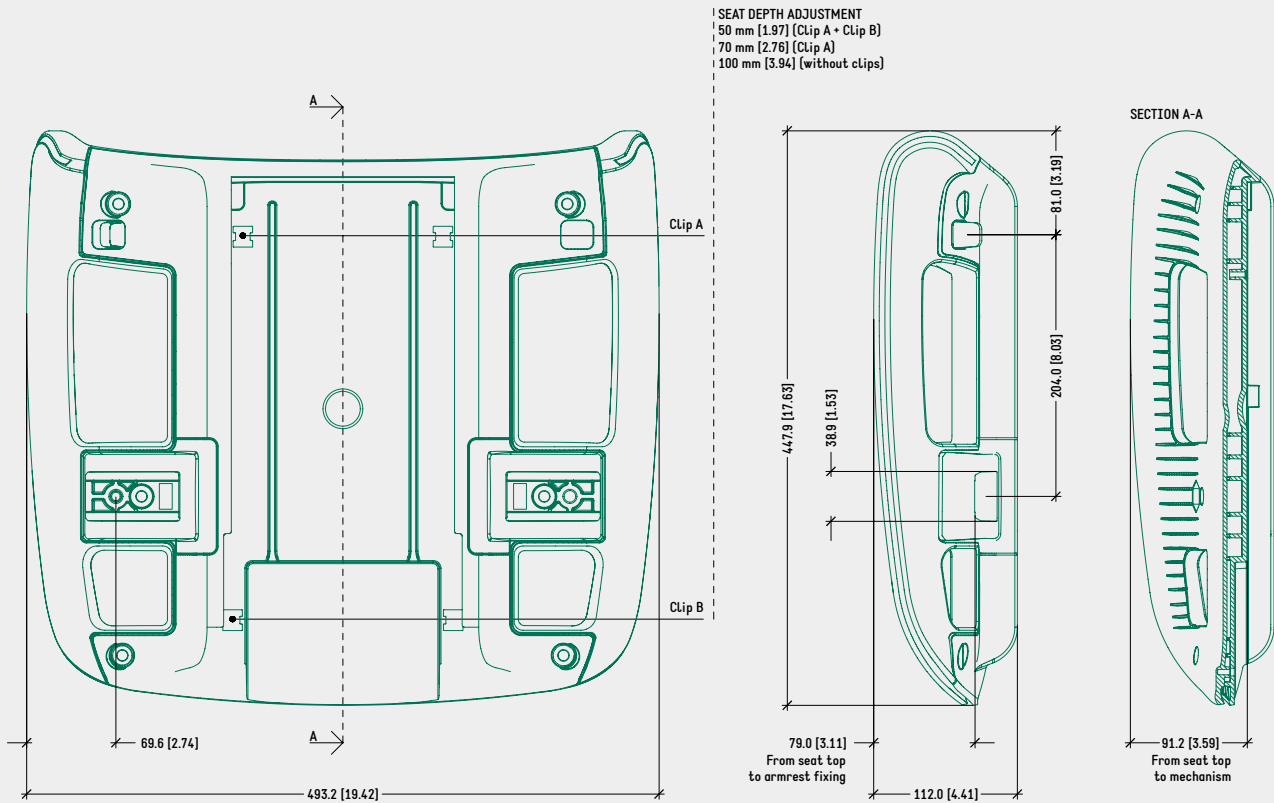
PRODUCT CODES

.....

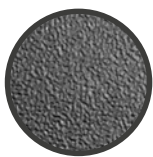
<u>KITE - FIXED ARMREST [TYPE-B INTERFACE]</u>	
COMPLETE ASSEMBLY [BLACK MESH]	4515265
COMPLETE ASSEMBLY [CHARCOAL GREY MESH]	4515266
LOWER SEAT STRUCTURE W/O TOP FRAME	4515260
<u>KITE - ADJUSTABLE ARMREST [TYPE-N INTERFACE]</u>	
COMPLETE ASSEMBLY [BLACK MESH]	4515268
COMPLETE ASSEMBLY [CHARCOAL GREY MESH]	4515269
LOWER SEAT STRUCTURE W/O TOP FRAME	4515259
<u>KITE - TOP FRAME</u>	
TOP FRAME WITH MESH FIXING PROFILES	4515261
TOP FRAME W/O MESH FIXING PROFILES	4515262

TECHNICAL DRAWING

KITE - FIXED ARMREST (TYPE-B INTERFACE)



SURFACE COLOURS / FINISHES



PHOTOENGRAVED
(NOVATEX 7381)
SEAT

TYPE-B ARMREST FIXING KIT CODES

FOR ALUMINIUM / NYLON ARMREST

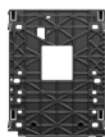
FIXED - W/O ARMBAR (EN1335 & BIFMA)

4501703

RELATED PRODUCTS



DONATI SEAT
RAILS CONNECTION
MECHANISMS



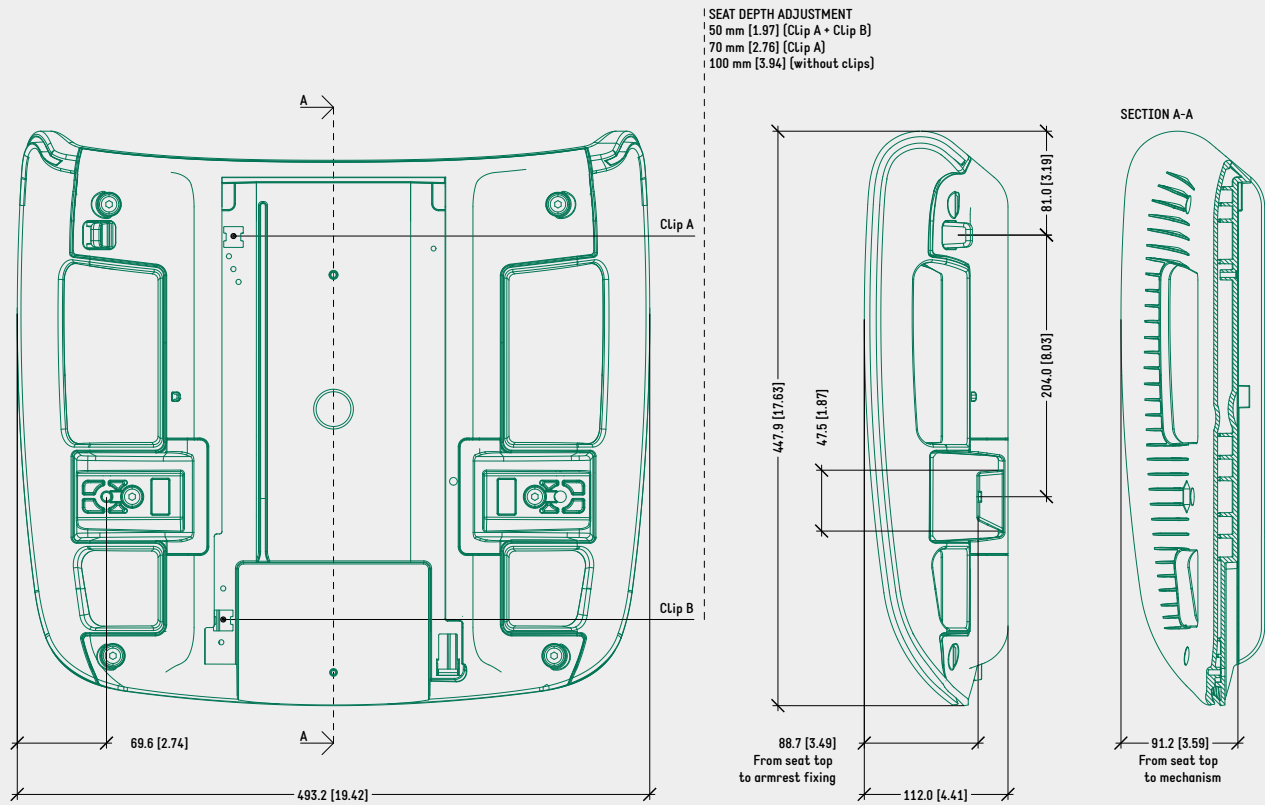
DONATI UNIVERSAL
SEAT PLATE CONNECTION
MECHANISMS



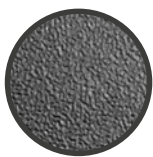
TYPE-B ARMREST
INTERFACE CONNECTION
ONLY

TECHNICAL DRAWING

KITE - ADJUSTABLE ARMREST (TYPE-N INTERFACE)



SURFACE COLOURS / FINISHES



PHOTOENGRAVED
(NOVATEX 7381)
SEAT

TYPE-N ARMREST FIXING KIT CODES

FOR NYLON ARMREST

WIDTH ADJUSTABLE - W/O ARMBAR

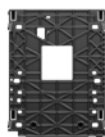
4501721

(EN1335 & BIFMA)

RELATED PRODUCTS



DONATI SEAT
RAILS CONNECTION
MECHANISMS



DONATI UNIVERSAL
SEAT PLATE CONNECTION
MECHANISMS



TYPE-N ARMREST
INTERFACE CONNECTION
ONLY