



[OPT.] HEIGHT
ADJUSTMENT LEVER

GAS SPRING COVER
Ø 45 mm [1.77 in]
KIT AVAILABLE

SPECIFICATIONS

TYPE	Swivel support
[OPT.] HEIGHT ADJUSTMENT	By lever
SEAT CONNECTION	Fixing holes 100 x 100 mm [3.94 x 3.94 in]
MORSE CONE DIAMETER	28,0 mm [1.10 in]
MECHANISM SURFACE FINISH	Black
GAS LEVER FINISH	Black

PRODUCT CODES

PLANE 100%

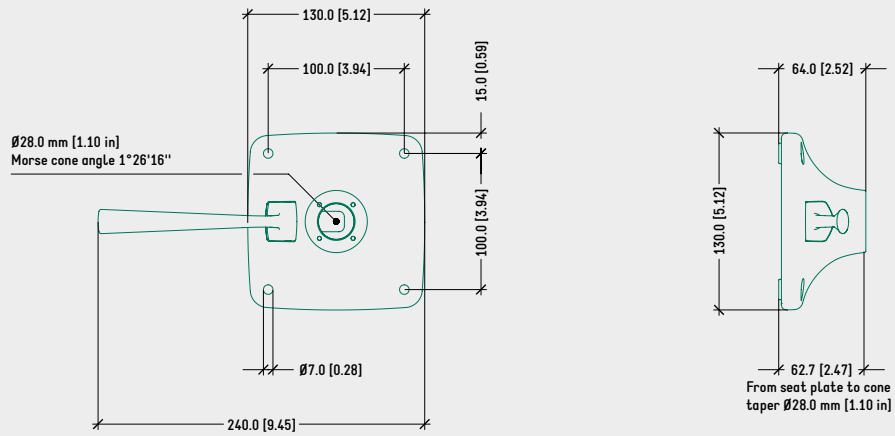
WITH HEIGHT ADJUSTMENT	4515225
W/O HEIGHT ADJUSTMENT	4515226

OPTIONAL

GAS SPRING COVER KIT [h. 295 mm / 11.6 in]	1005140
--	---------

TECHNICAL DRAWING

PLANE 100% WITH HEIGHT ADJUSTMENT

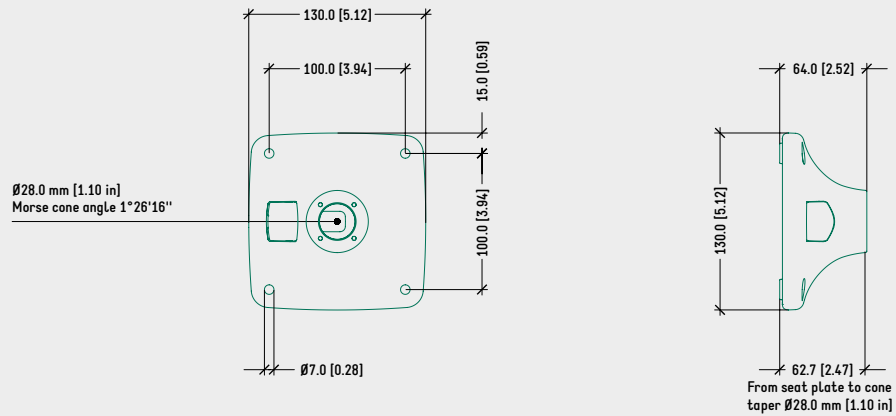


SURFACE FINISHES

BLACK PLASTIC
SUPPORT AND LEVER

TECHNICAL DRAWING

PLANE 100% W/O HEIGHT ADJUSTMENT



SURFACE FINISHES

BLACK PLASTIC
SUPPORT