

SPECIFICATIONS	
TYPE	Fixed support
FACTORY SEAT SETUP	2° backwards
(OPT.) HEIGHT ADJUSTMENT	By lever
SEAT CONNECTION	Donati quick connection sliding seat rails
BACK BAR CONNECTION	Donati standard (width 90 mm [3.5 in])
MORSE CONE DIAMETER	28,0 mm [1.10 in]
MECHANISM SURFACE FINISH	Black painted
ITEMS PER BOX	10
BOXES PER PALLET (MOQ)	15 boxes (150 items)
PALLET SIZE (LxWxH)	80 x 120 x 210 cm [31.5 x 47.2 x 82.7 in]

PRODUCT CODES

PF

WITH HEIGHT ADJUSTMENT

1050200

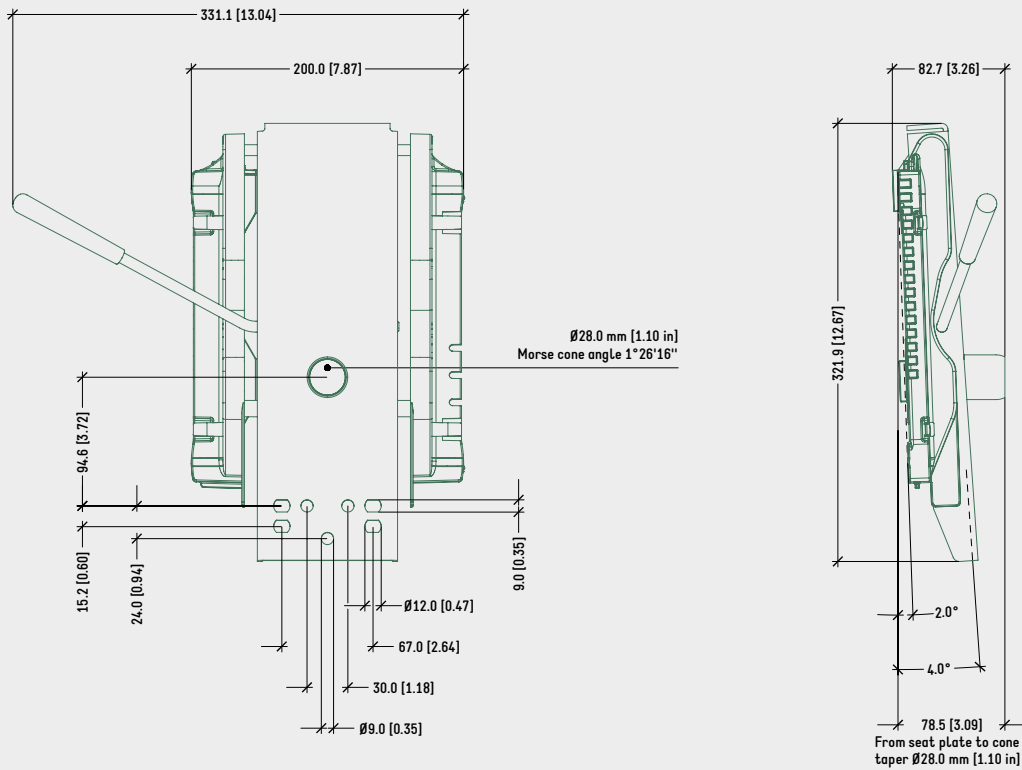
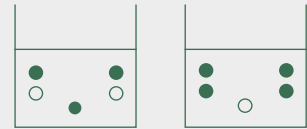
W/O HEIGHT ADJUSTMENT

1050201

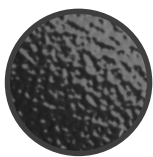
TECHNICAL DRAWING

PF WITH HEIGHT ADJUSTMENT

RECOMMENDED FIXING HOLES FOR BACK SUPPORT CONNECTION (WIDTH 90 mm [3,54 in])



SURFACE COLOURS / FINISHES



BLACK PAINTED STEEL PLATE, LEVER



BLACK PLASTIC SEAT RAILS, LEVER COVER

RELATED PRODUCTS



DONATI QUICK CONNECTION SLIDING SEAT FAMILY



DONATI QUICK CONNECTION SLIDING PLATE ADAPTER CODE: 4515220

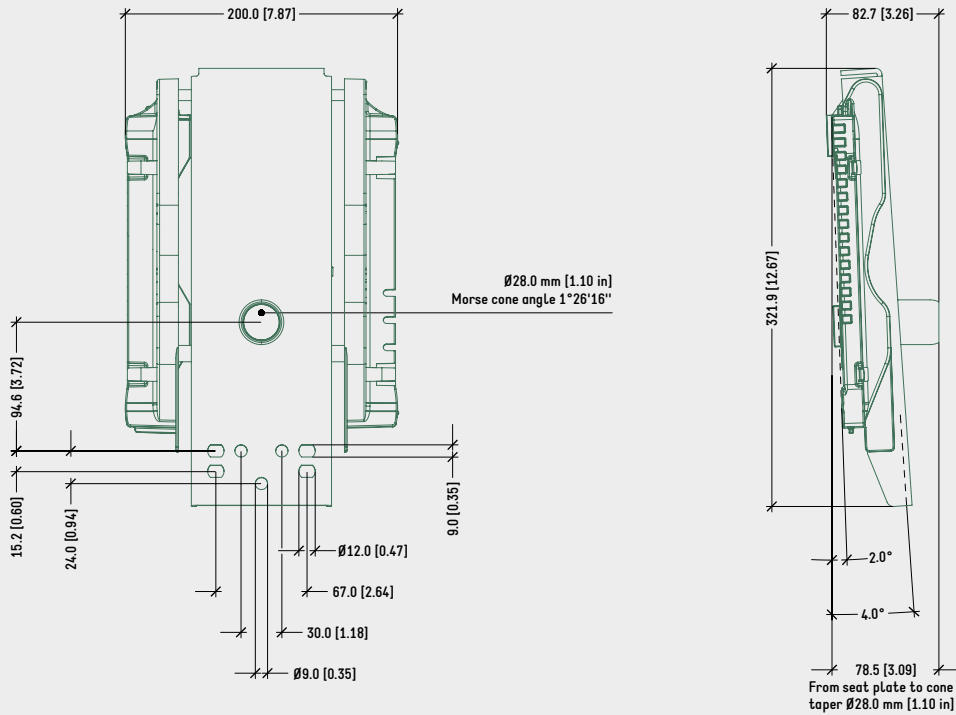
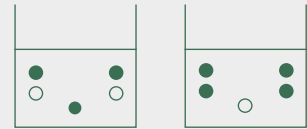


DONATI QUICK CONNECTION SLIDING ADAPTER MODULA 1 CODE: 4515270

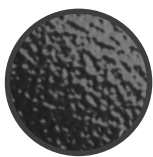
TECHNICAL DRAWING

PF W/O HEIGHT ADJUSTMENT

RECOMMENDED FIXING HOLES FOR BACK SUPPORT CONNECTION (WIDTH 90 mm [3,54 in])



SURFACE COLOURS / FINISHES



BLACK PAINTED STEEL PLATE



BLACK PLASTIC SEAT RAILS

RELATED PRODUCTS



DONATI QUICK CONNECTION SLIDING SEAT FAMILY



DONATI QUICK CONNECTION SLIDING PLATE ADAPTER
CODE: 4515220



DONATI QUICK CONNECTION SLIDING ADAPTER MODULA 1
CODE: 4515270