



**SPECIFICATIONS**

TYPE	— Tilt mechanism — Tilt mechanism with tilt lock
TILT ANGLES	— 7° backward, 4° forward (W/O tilt lock) — 7° backward (with tilt lock)
[OPT.] TILT LOCKING	1 position, by lever
FACTORY SEAT SETUP	— 2,5° backward (standard version) — 6° backward (loungue version)
HEIGHT ADJUSTMENT	By lever
COMFORT	Factory setup
SEAT CONNECTION	Bolt-on plate 153 x 153 mm [6.02 x 6.02 in]
MORSE CONE DIAMETER	28,0 mm [1.10 in]
MECHANISM SURFACE FINISH	— Polished — Black painted
GAS LEVER FINISH	— Chrome (Zamak) — Black painted (Zamak)
DESIGN BY	Strand + Hvass

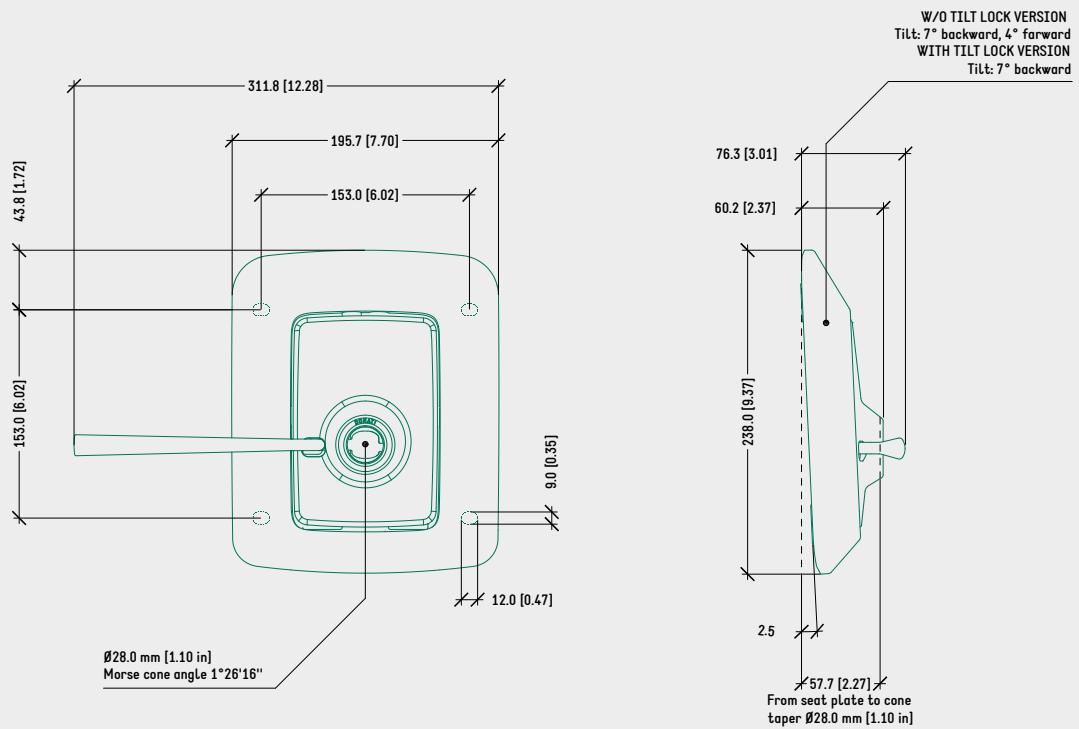
**PRODUCT CODES**

---

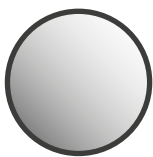
<u>INSTAR TILT - WITH TILT LOCK</u>	
POLISHED (STANDARD VER.)	1022601
BLACK PAINTED (STANDARD VER.)	1022600
POLISHED (LOUNGE VER.)	1022651
BLACK PAINTED (LOUNGE VER.)	1022650
<u>INSTAR TILT - W/O TILT LOCK</u>	
POLISHED (STANDARD VER.)	1022401
BLACK PAINTED (STANDARD VER.)	1022400
POLISHED (LOUNGE VER.)	1022451
BLACK PAINTED (LOUNGE VER.)	1022450

TECHNICAL DRAWING

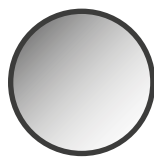
INSTAR TILT - STANDARD VER.



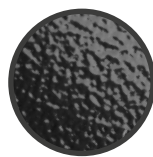
SURFACE COLOURS / FINISHES



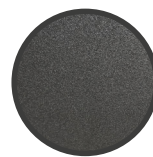
POLISHED ALUMINIUM HOUSING



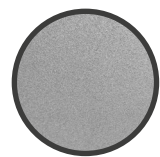
CHROMED ZAMAK LEVER



BLACK PAINTED ALUMINIUM HOUSING, LEVER, SEAT PLATE



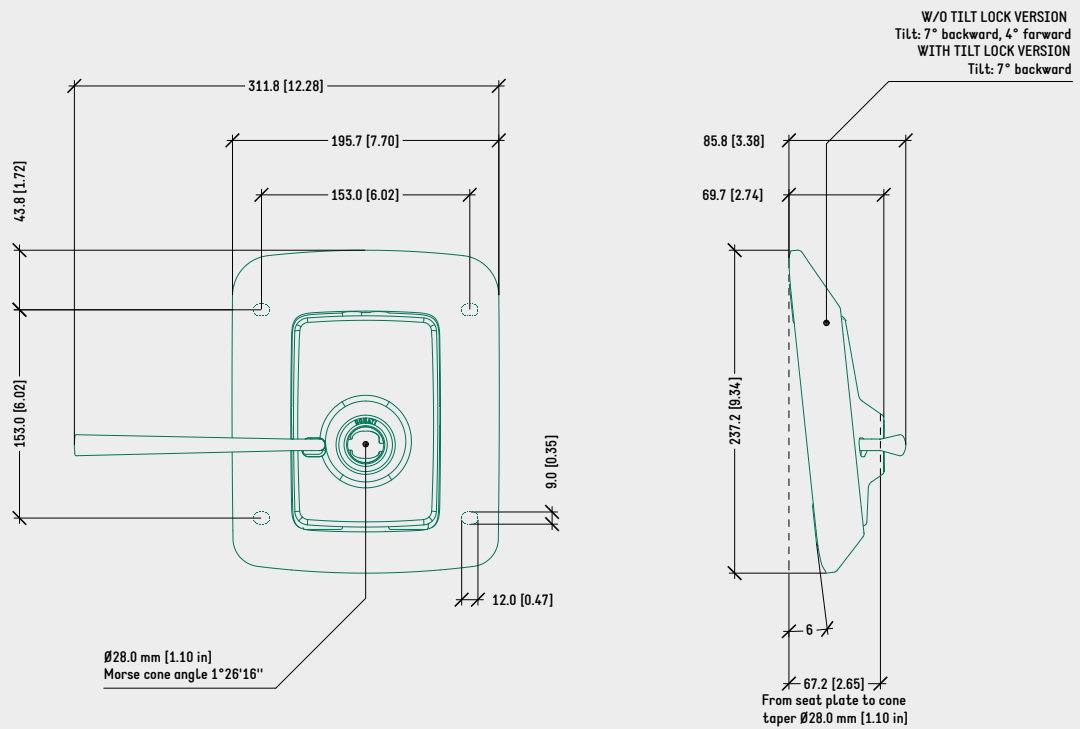
BLACK PLASTIC COVER



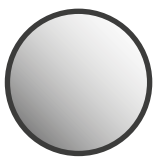
WINDOW GREY (RAL 7040) PLASTIC COVER

TECHNICAL DRAWING

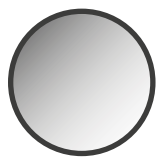
INSTAR TILT - LOUNGE VER.



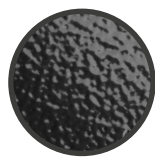
SURFACE COLOURS / FINISHES



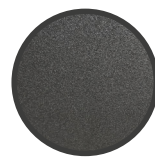
POLISHED ALUMINIUM HOUSING



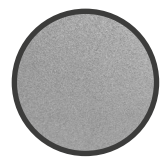
CHROMED ZAMAK LEVER



BLACK PAINTED ALUMINIUM HOUSING, LEVER, SEAT PLATE



BLACK PLASTIC COVER



WINDOW GREY (RAL 7040) PLASTIC COVER