

SPECIFICATIONS

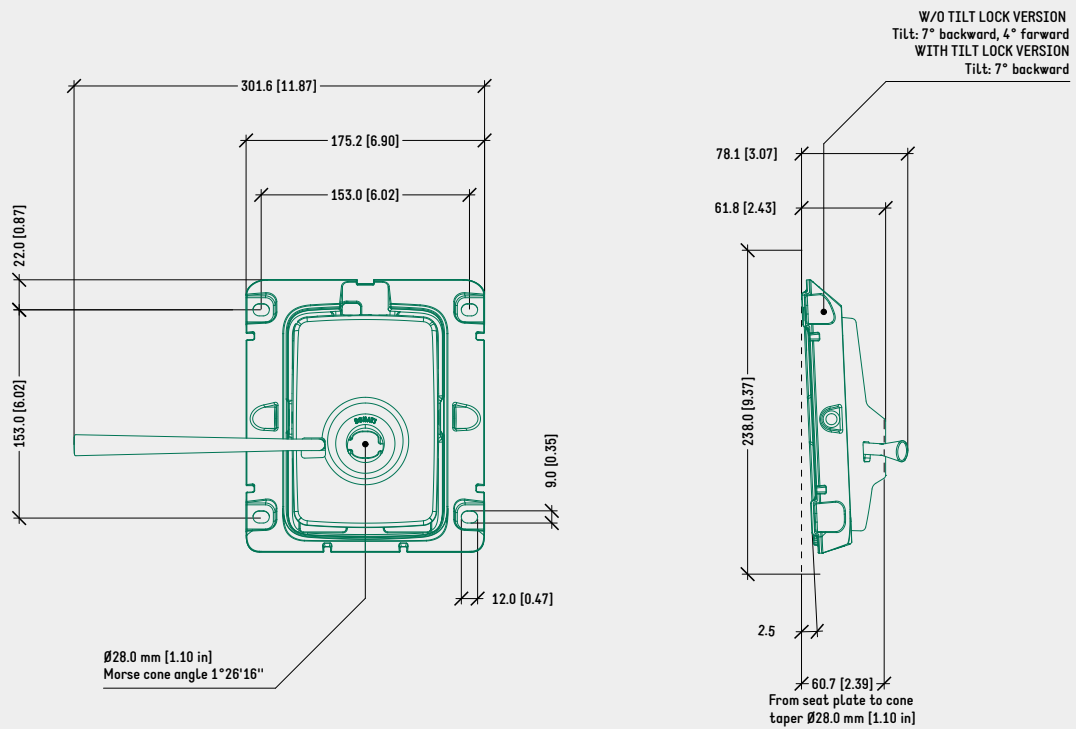
TYPE	<ul style="list-style-type: none"> — Tilt mechanism — Tilt mechanism with tilt lock
TILT ANGLES	<ul style="list-style-type: none"> — 7° backward, 4° forward (W/O tilt lock) — 7° backward (with tilt lock) — 12° backward (with tilt lock)
(OPT.) TILT LOCKING	1 position, by lever
FACTORY SEAT SETUP	<ul style="list-style-type: none"> — 2,5° backward (standard version) — 6° backward (loungé version)
HEIGHT ADJUSTMENT	By lever
COMFORT	Factory setup
SEAT CONNECTION	Bolt-on alu plate 153 x 153 mm [6.02 x 6.02 in]
MORSE CONE DIAMETER	28,0 mm [1.10 in]
MECHANISM SURFACE FINISH	<ul style="list-style-type: none"> — Black painted — Polished
GAS LEVER FINISH	<ul style="list-style-type: none"> — Black painted (Zamak) — Chrome (Zamak)

PRODUCT CODES

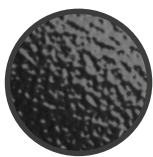
.....		
<u>INSTAR MAJOR TILT - WITH TILT LOCK</u>		
STANDARD - POLISHED [-7°]		On request
STANDARD - BLACK PAINTED [-7°]		1023600
STANDARD - BLACK PAINTED [-12°]		1023300
LOUNGE - POLISHED [-7°]		On request
LOUNGE - BLACK PAINTED [-7°]		1023650
<u>INSTAR MAJOR TILT - W/O TILT LOCK</u>		
STANDARD - POLISHED [-7°]		On request
STANDARD - BLACK PAINTED [-7°]		1023400
LOUNGE - POLISHED [-7°]		On request
LOUNGE - BLACK PAINTED [-7°]		1023450
<u>INSTAR MAJOR TILT - W/O TILT LOCK/HEIGHT ADJ.</u>		
LOUNGE - POLISHED [-7°/ +4°]		On request
LOUNGE - BLACK PAINTED [-7°/ +4°]		1023470

TECHNICAL DRAWING

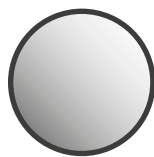
INSTAR MAJOR TILT - STANDARD VERSION (2,5°)



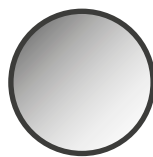
SURFACE COLOURS / FINISHES



BLACK PAINTED ALUMINIUM HOUSING, LEVER, SEAT PLATE



POLISHED ALUMINIUM HOUSING



CHROMED ZAMAK LEVER

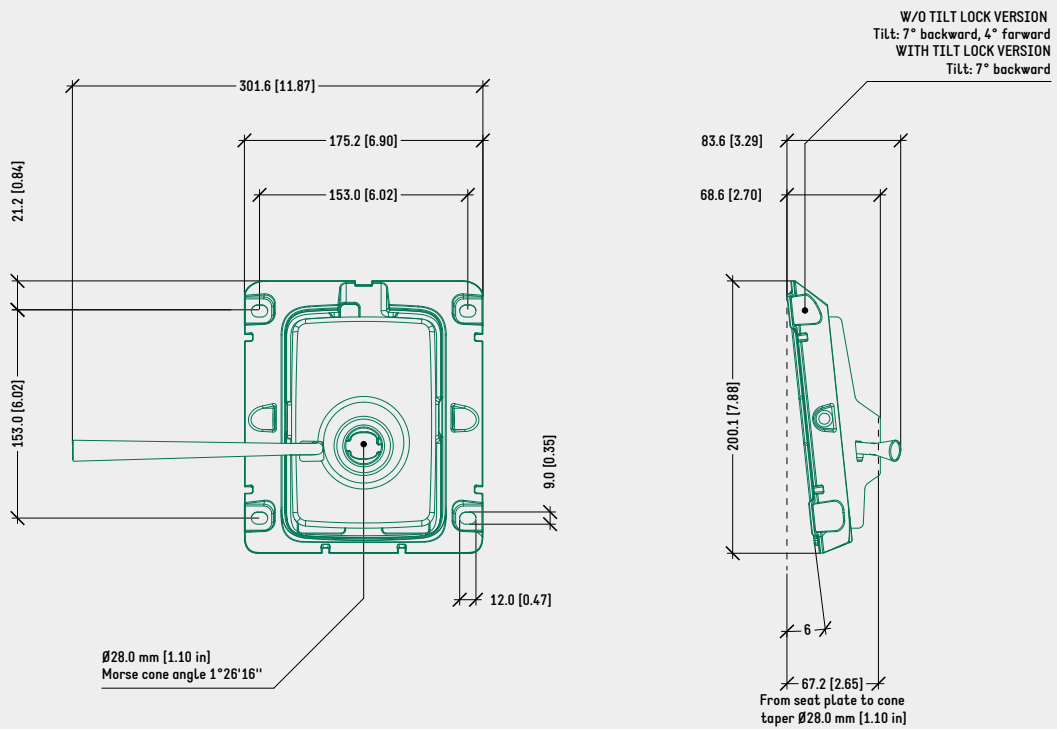
RELATED PRODUCTS



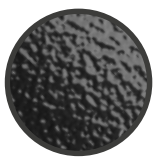
INSTAR BLACK OR GREY NYLON COVER

TECHNICAL DRAWING

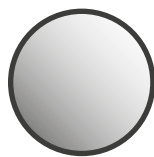
INSTAR MAJOR TILT - LOUNGE VERSION [6°]



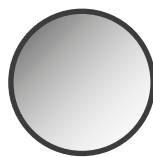
SURFACE COLOURS / FINISHES



BLACK PAINTED ALUMINIUM HOUSING, LEVER, SEAT PLATE



POLISHED ALUMINIUM HOUSING



CHROMED ZAMAK LEVER

RELATED PRODUCTS



INSTAR BLACK OR GREY NYLON COVER