



SPECIFICATIONS

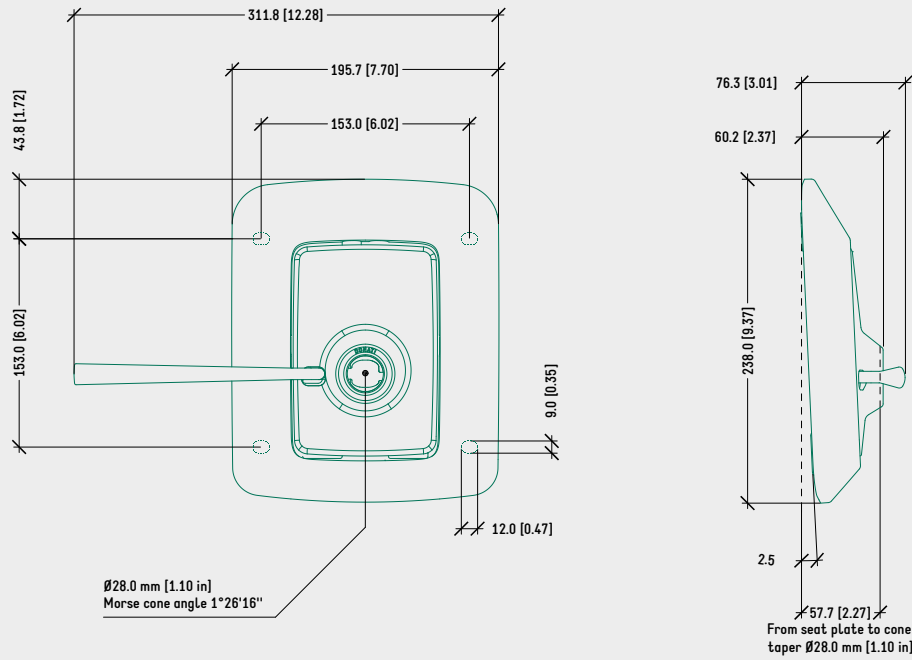
| | |
|--------------------------|--|
| TYPE | Fixed mechanism |
| FACTORY SEAT SETUP | — 2,5° backward (standard version) — 6° backward (lounge version) |
| [OPT.] HEIGHT ADJUSTMENT | By lever |
| SEAT CONNECTION | Bolt-on plate 153 x 153 mm [6.02 x 6.02 in] |
| MORSE CONE DIAMETER | 28,0 mm [1.10 in] |
| MECHANISM SURFACE FINISH | — Polished — Black painted |
| GAS LEVER FINISH | — Chrome (Zamak) — Black painted (Zamak) |
| DESIGN BY | Strand + Hvass |

PRODUCT CODES

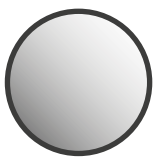
| | |
|--|------------|
| <u>INSTAR FIXED WITH HEIGHT ADJUSTMENT</u> | |
| POLISHED (STANDARD VER.) | On request |
| BLACK PAINTED (STANDARD VER.) | 1022800 |
| POLISHED (LOUNGE VER.) | On request |
| BLACK PAINTED (LOUNGE VER.) | 1022850 |
| <u>INSTAR FIXED W/O HEIGHT ADJUSTMENT</u> | |
| POLISHED (STANDARD VER.) | 1022814 |
| BLACK PAINTED (STANDARD VER.) | 1022810 |
| POLISHED (LOUNGE VER.) | On request |
| BLACK PAINTED (LOUNGE VER.) | 1022860 |

TECHNICAL DRAWING

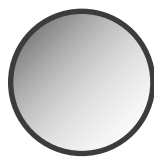
INSTAR FIXED - STANDARD VER.



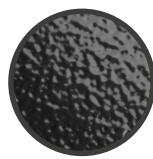
SURFACE COLOURS / FINISHES



POLISHED ALUMINIUM HOUSING



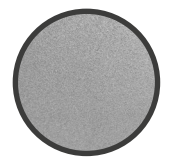
CHROMED ZAMAK LEVER



BLACK PAINTED ALUMINIUM HOUSING, LEVER, SEAT PLATE



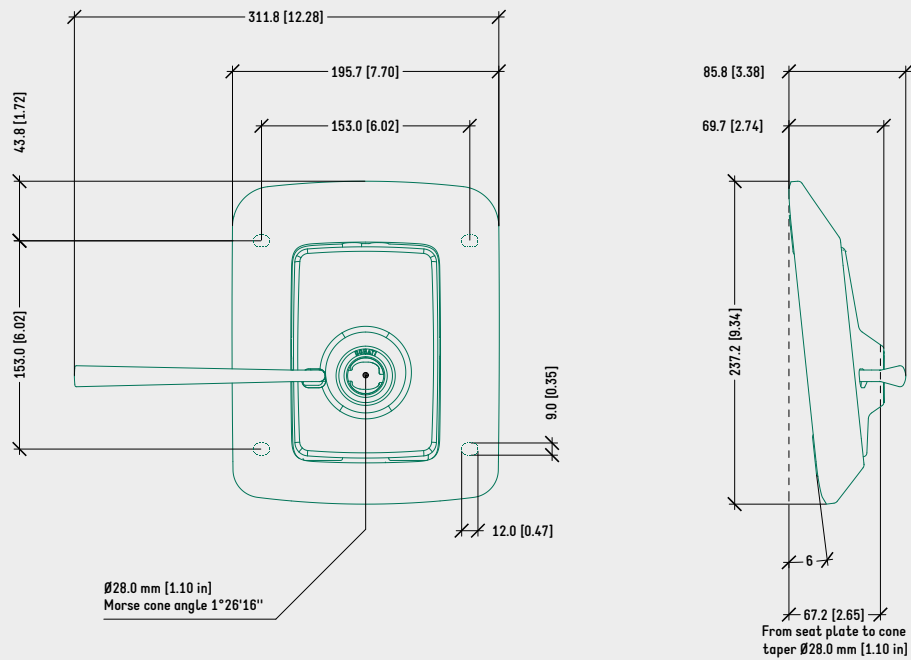
BLACK PLASTIC COVER



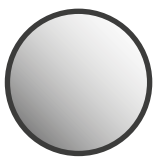
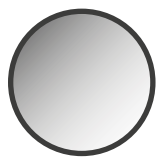
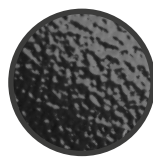
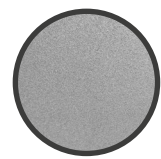
WINDOW GREY (RAL 7040) PLASTIC COVER

TECHNICAL DRAWING

INSTAR FIXED - LOUNGE VER.



SURFACE COLOURS / FINISHES

POLISHED ALUMINIUM
HOUSINGCHROMED ZAMAK
LEVERBLACK PAINTED
ALUMINIUM HOUSING,
LEVER, SEAT PLATEBLACK PLASTIC
COVERWINDOW GREY
[RAL 7040] PLASTIC
COVER