



SPECIFICATIONS

TYPE	Weight-activated synchronized mechanism
TILT ANGLES	20° backrest / 6° seat
BACKREST TILT LOCK	3 positions, by integrated lever
HEIGHT ADJUSTMENT	By seat integrated lever
SEAT ANGLE ADJUSTMENT	4° forward, by lever
SEAT DEPTH ADJUSTMENT	By seat integrated lever
SEAT DEPTH TRAVEL	<ul style="list-style-type: none"> — 50,0 mm [1.97 in] (with 2 clips) — 70,0 mm [2.76 in] (with 1 clip) — 100,0 mm [3.94 in] (without clips)
CERTIFICATIONS	<ul style="list-style-type: none"> — EN1335 — BIFMA
COMFORT	Tension fine-tuning by lower knob
SEAT CONNECTION	Integrated with the mechanism
ARMREST CONNECTION	<ul style="list-style-type: none"> — Type-B armrest interface — Type-N armrest interface
BACK BAR CONNECTION	Width 100,0 mm [3.94 in]
UPHOLSTERY FIXING	By quick connection upholstery plate
MORSE CONE DIAMETER	28,0 mm [1.10 in]
OUTER FINISH	Black

PRODUCT CODES

.....
FRIENDLY 3 PLUS (BOLT-ON BACK BAR CONNECTION)

WITH TYPE-B ARMREST INTERFACE SEAT 1063250

WITH TYPE-N ARMREST INTERFACE SEAT 1063251

FRIENDLY 3 PLUS (INTEGRATED BACK BAR CONNECTION)

WITH TYPE-B ARMREST INTERFACE SEAT On request

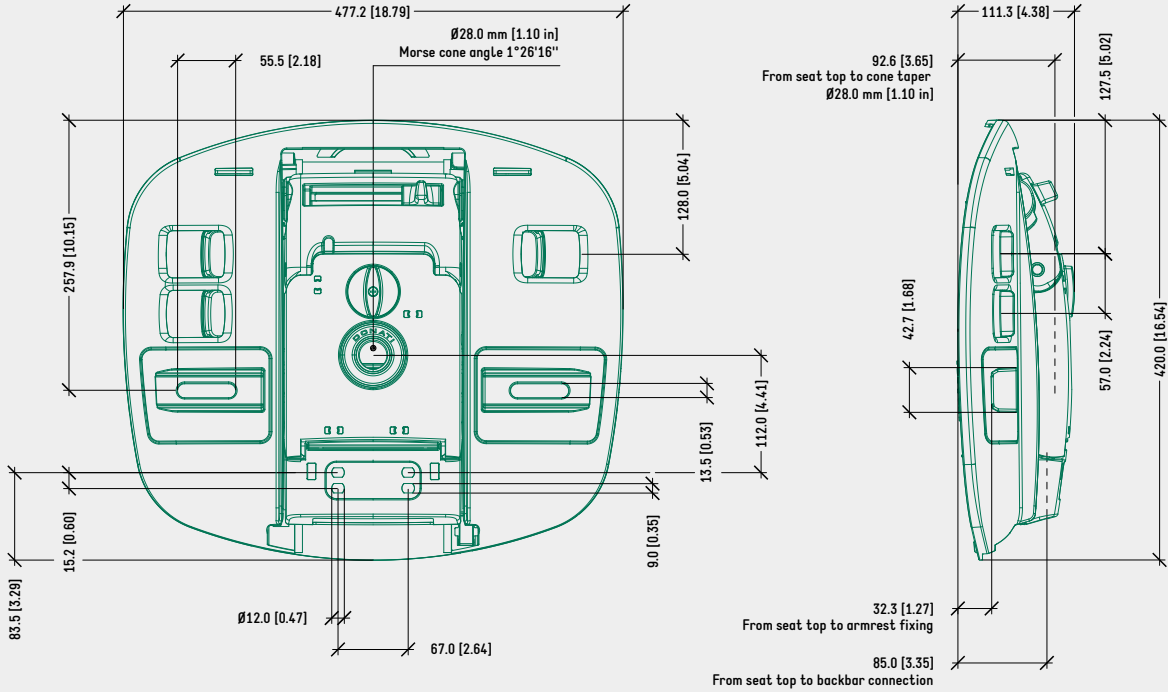
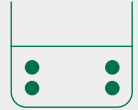
WITH TYPE-N ARMREST INTERFACE SEAT On request

UPHOLSTERY PLATE 4515188

TECHNICAL DRAWING

FRIENDLY 3 PLUS - BOLT-ON BACK BAR CONNECTION & TYPE-B ARMREST INTERFACE

4 FIXING HOLES BACK BAR CONNECTION PATTERN



SURFACE COLOURS / FINISHES



BLACK PLASTIC COVERS

TYPE-B ARMREST FIXING KIT CODES

FOR ALUMINIUM ARMREST

WIDTH ADJ. - W/O ARMBAR [EN1335 & BIFMA] 4501120

FOR NYLON ARMREST

WIDTH ADJ. - W/O ARMBAR [EN1335 & BIFMA] 4501121

RELATED PRODUCTS

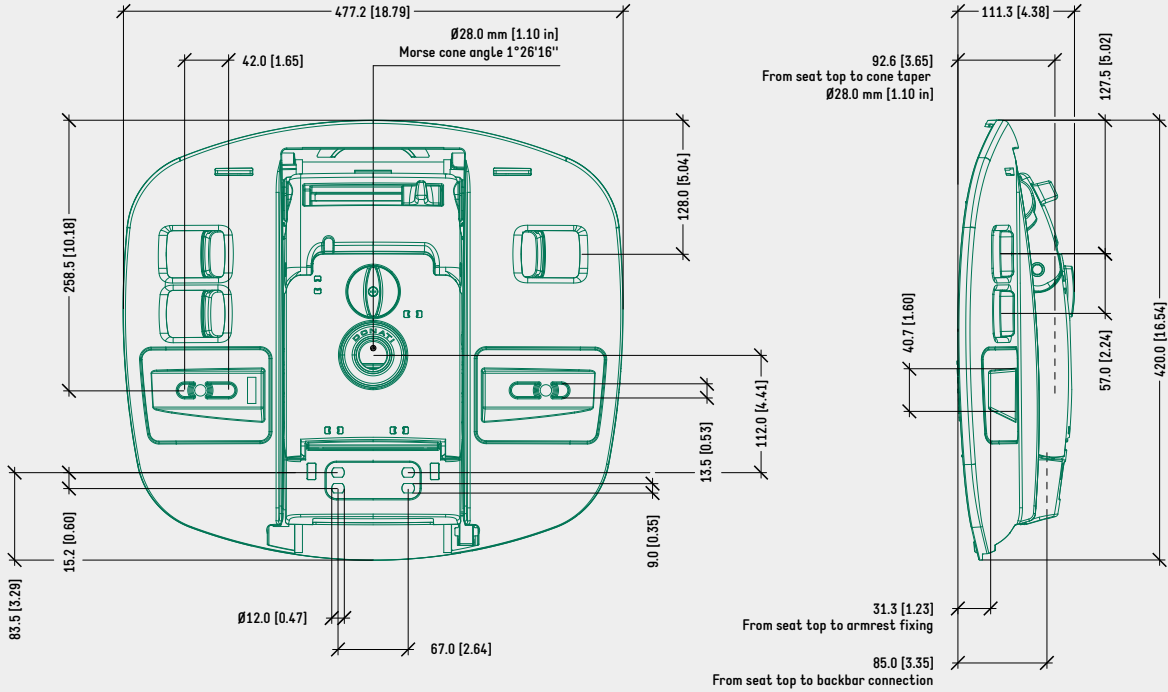
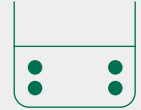


TYPE-B ARMREST INTERFACE CONNECTION ONLY

TECHNICAL DRAWING

FRIENDLY 3 PLUS - BOLT-ON BACK BAR CONNECTION & TYPE-N ARMREST INTERFACE

4 FIXING HOLES BACK BAR CONNECTION PATTERN



SURFACE COLOURS / FINISHES



BLACK PLASTIC COVERS

TYPE-N ARMREST FIXING KIT CODES

FOR NYLON ARMREST

WIDTH ADJUSTABLE - W/O ARMBAR (BIFMA) 4501111

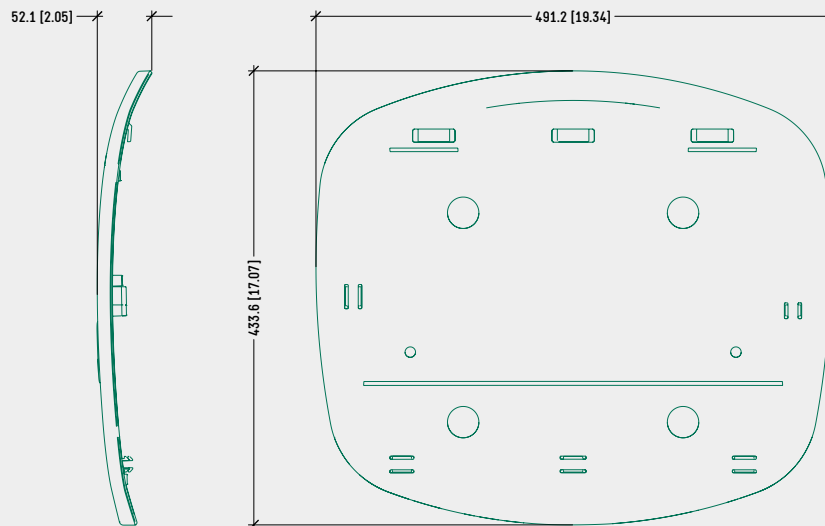
RELATED PRODUCTS



TYPE-N ARMREST INTERFACE CONNECTION ONLY

TECHNICAL DRAWING

UPHOLSTERY PLATE



SURFACE COLOURS / FINISHES

BLACK PLASTIC
UPHOLSTERY PLATE