

SPECIFICATIONS

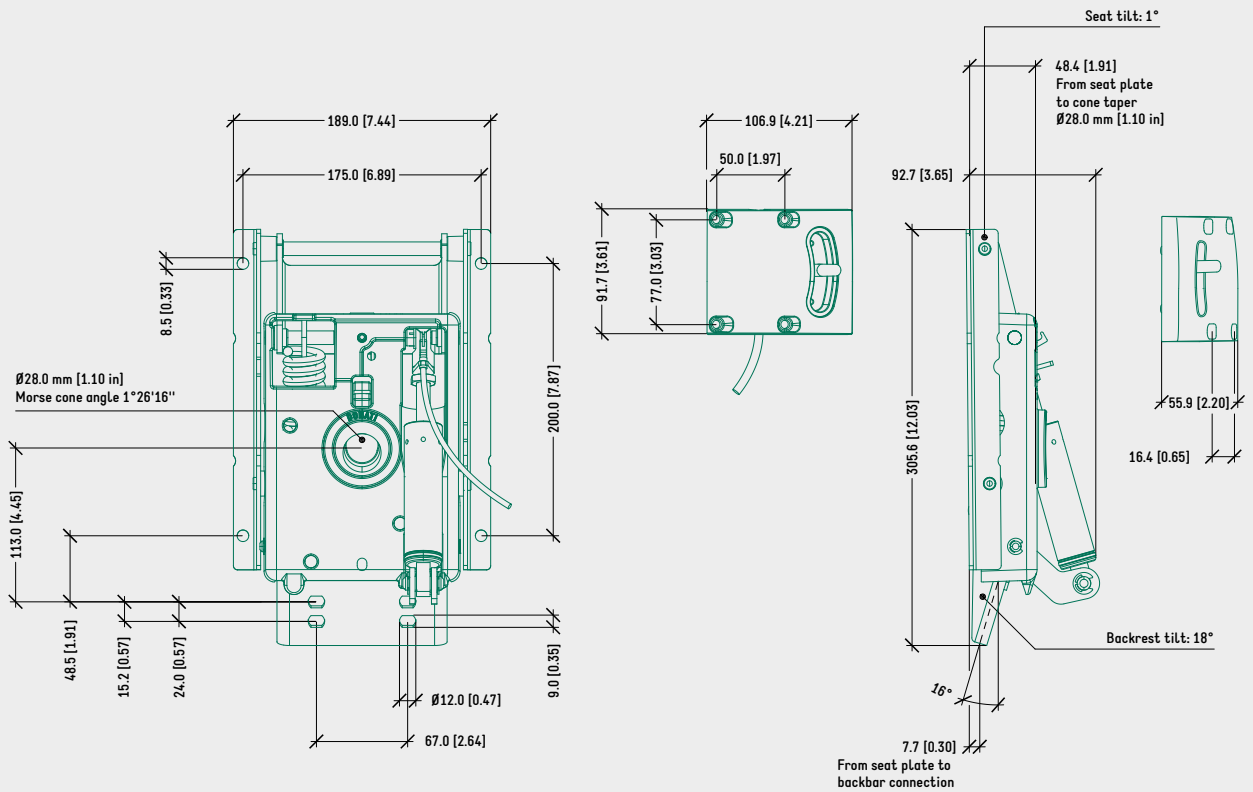
TYPE	Weight-activated synchronized mechanism
TILT ANGLES	18° backrest / 1° seat
FACTORY SEAT SETUP	6° backward
BACKREST TILT LOCK	Any position, by cable activated lever
(OPT.) HEIGHT ADJUSTMENT	By cable activated lever
CABLE LENGTH	300 mm [11.8 in]
COMFORT	Factory setup
SEAT CONNECTION	Bolt-on seat rails 175 x 200 mm [6.89 x 7.87 in]
BACK BAR CONNECTION	16°, width 100,0 mm [3.94 in]
MORSE CONE DIAMETER	28,0 mm [1.10 in]
MECHANISM SURFACE FINISH	Sandblasted aluminium
COVER FINISH	Window grey (RAL 7040)
LEVER FINISH	— Chrome (zamak) — Black painted (zamak)

PRODUCT CODES

.....	
<u>FRIENDLY 2 LOUNGE (TILT LOCK AND HEIGHT ADJ.)</u>	
CABLES ONLY	1063070
WITH CHROME LEVERS	1063074
<u>FRIENDLY 2 LOUNGE (TILT LOCK)</u>	
CABLE ONLY	1063071
WITH CHROME LEVER	1063075

TECHNICAL DRAWING

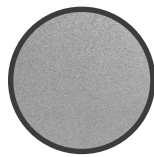
FRIENDLY 2 LOUNGE



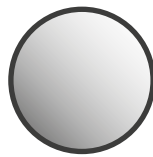
SURFACE COLOURS / FINISHES



SANDBLASTED ALUMINIUM HOUSING



WINDOW GREY (RAL 7040) PLASTIC COVERS



CHROME ZAMAK LEVERS



CHROME ZAMAK LEVERS

RELATED PRODUCTS



BOLT-ON SEATS
175 x 200 mm [6.89 x 7.87 in]
CONNECTION



CHROME LEVER
COVER KIT