

SPECIFICATIONS

TYPE	Synchro tilt mechanism
TILT ANGLE	26° backrest / 10° seat
BACKREST TILT LOCK OR	— 11 positions, by lever
BACKREST TRAVEL RESTRICTION	— 4 positions, by lever
HEIGHT ADJUSTMENT	By lever
FORWARD TILT ADJUSTMENT	6° backrest / 2,4° seat
COMFORT	Side tension adjustment crank
SEAT CONNECTION	Bolt-on plate 153,0 x 200,0 mm [6.02 x 7.87 in]
BACK BAR CONNECTION	Customisable
MORSE CONE DIAMETER	28,0 mm [1.10 in]
MECHANISM SURFACE FINISH	Black painted
LEVER FINISH	Black
ITEMS PER BOX	40
BOXES PER PALLET (MOQ)	4 boxes (160 items)
PALLET SIZE (LxWxH)	80 x 120 x 210 cm [31.5 x 47.2 x 82.7 in]

PRODUCT CODES

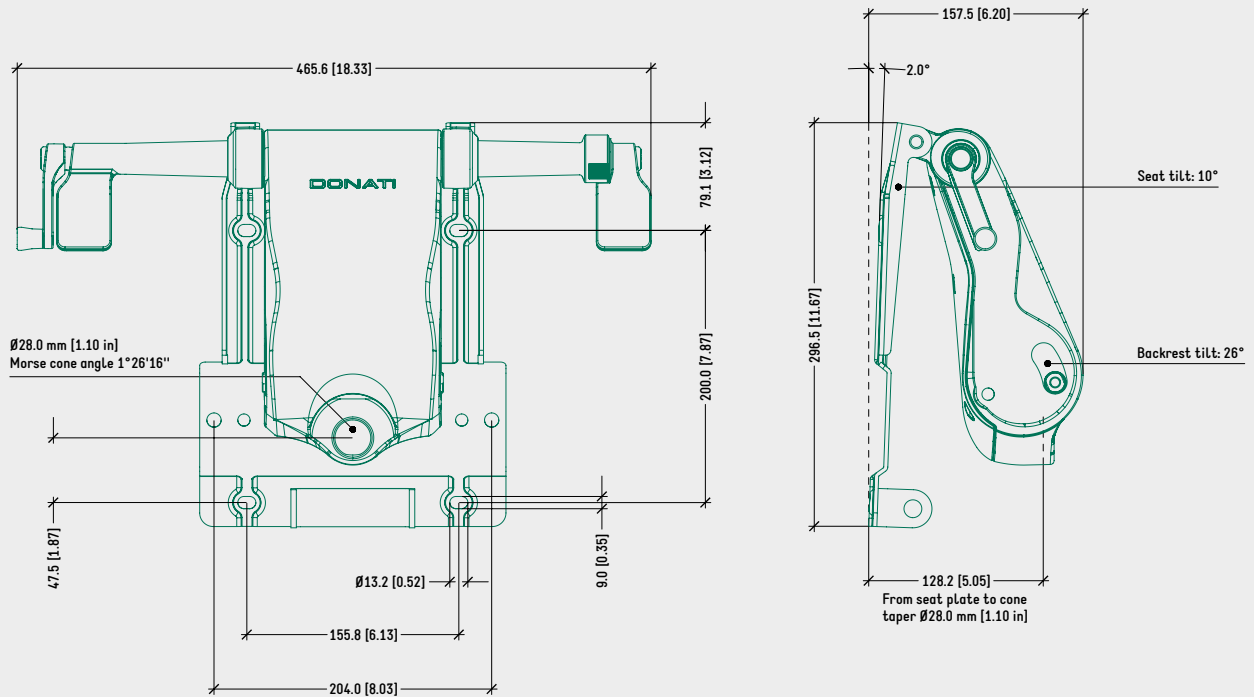
DYNAMIC PLUS

SYNCHRON	1080101
SYNCHRON TRAVEL RESTRICTION	1080151

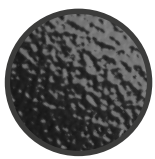
TECHNICAL DRAWING

DYNAMIC PLUS SYNCHRON

DYNAMIC PLUS SYNCHRON TRAVEL RESTRICTION



SURFACE COLOURS / FINISHES



BLACK PAINTED
ALUMINIUM HOUSING



BLACK PLASTIC
LEVERS, COVER

RELATED PRODUCTS



DONATI BOLT-ON
SLIDING OR FIXED
SEAT FAMILY



BOLT-ON SEATS
153x200 mm [6.0x7.9 in]
CONNECTION