

SPECIFICATIONS	
TYPE	Knee-tilt mechanism
TILT ANGLE	16°
TILT LOCKING	4 positions, by lever
HEIGHT ADJUSTMENT	By lever
COMFORT	Side tension adjustment crank
SEAT CONNECTION	— Bolt-on plate 153 x 200 mm [6.02 x 7.87 in] — Bolt-on plate 200 x 200 mm [7.87 x 7.87 in]
MORSE CONE DIAMETER	28,0 mm [1.10 in]
MECHANISM SURFACE FINISH	— Black painted — Polished
LEVER FINISH	Black
COVER FINISH	Anthracite grey (RAL 7016)
ITEMS PER BOX	34
BOXES PER PALLET (MOQ)	4 boxes (136 items)
PALLET SIZE (LxWxH)	80 x 120 x 210 cm [31.5 x 47.2 x 82.7 in]

PRODUCT CODES

.....
D165 TILT BOLT-ON PLATE 153 X 200 mm

BLACK PAINTED 1020810

POLISHED 1020811

D165 TILT BOLT-ON PLATE 200 X 200 mm

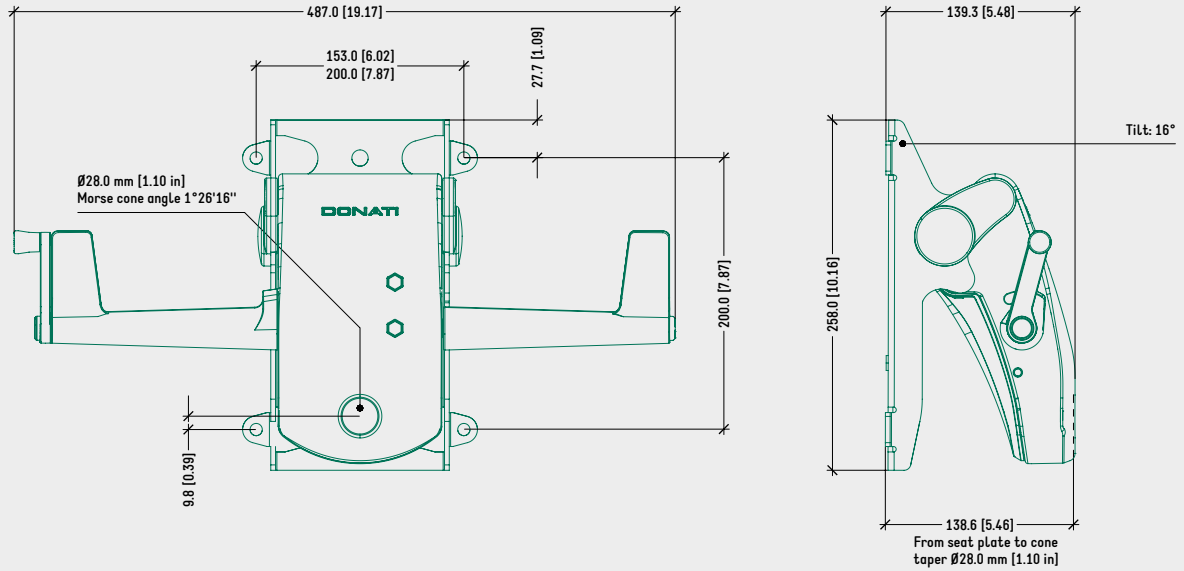
BLACK PAINTED 1020830

POLISHED 1020831

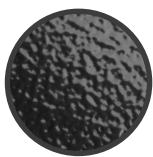
TECHNICAL DRAWING

D165 TILT BOLT-ON PLATE 153 X 200 mm

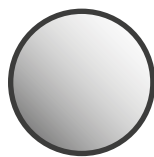
D165 TILT BOLT-ON PLATE 200 X 200 mm



SURFACE COLOURS / FINISHES



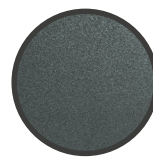
BLACK PAINTED ALUMINIUM HOUSING



POLISHED ALUMINIUM HOUSING



BLACK PLASTIC LEVERS



ANTHRACITE GREY (RAL 7016) PLASTIC COVERS