

SPECIFICATIONS	
TYPE	Synchro knee-tilt mechanism
TILT ANGLE	25° backrest / 16° seat
FACTORY SEAT SETUP	3° forward
BACKREST TILT LOCK	4 positions, by lever
HEIGHT ADJUSTMENT	By lever
COMFORT	Side tension adjustment crank
SEAT CONNECTION	— Bolt-on plate 153,0 x 200,0 mm [6.02 x 7.87 in] — Bolt-on plate 200,0 x 200,0 mm [7.87 x 7.87 in]
BACK BAR CONNECTION	Donati standard (width 90,0 mm [3.54 in])
MORSE CONE DIAMETER	28,0 mm [1.10 in]
MECHANISM SURFACE FINISH	— Black painted — Polished
LEVER FINISH	Black
COVER FINISH	Anthracite grey (RAL 7016)
ITEMS PER BOX	24
BOXES PER PALLET (MOQ)	4 boxes (96 items)
PALLET SIZE (LxWxH)	80 x 120 x 210 cm [31.5 x 47.2 x 82.7 in]

PRODUCT CODES

.....  
D165 SYNCHRON BOLT-ON PLATE 153 X 200 mm

BLACK PAINTED 1030810

POLISHED 1030811

D165 SYNCHRON BOLT-ON PLATE 200 X 200 mm

BLACK PAINTED 1030830

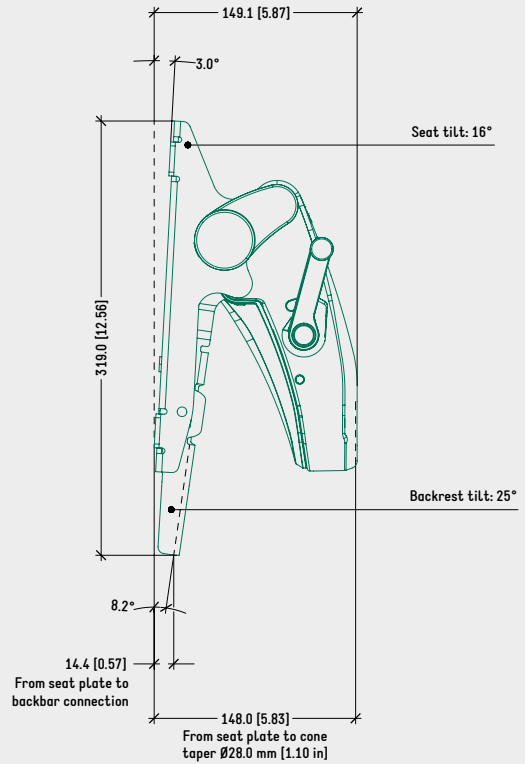
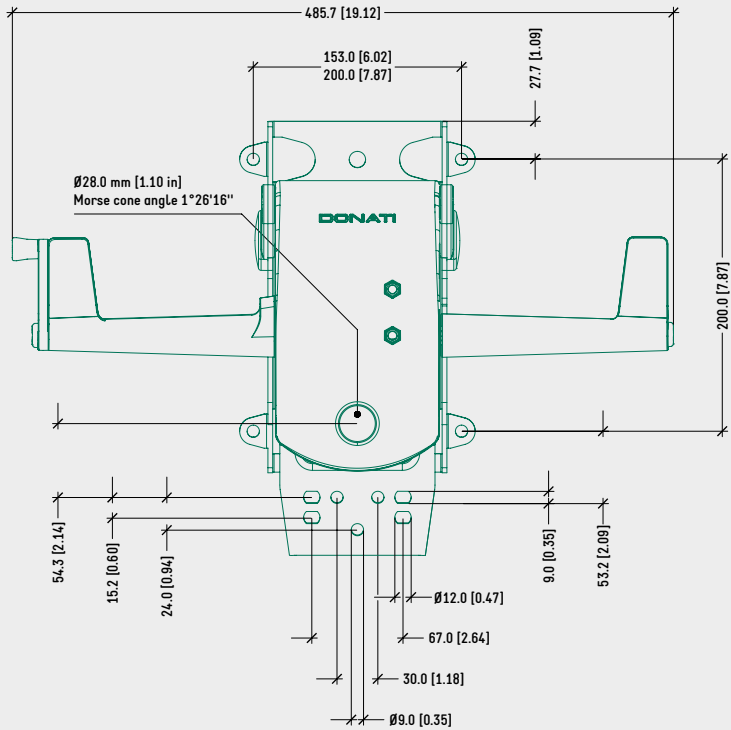
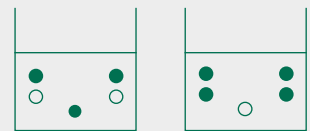
POLISHED 1030831

TECHNICAL DRAWING

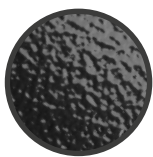
D165 SYNCHRON BOLT-ON PLATE 153 X 200 mm

D165 SYNCHRON BOLT-ON PLATE 200 X 200 mm

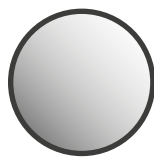
RECOMMENDED FIXING HOLES FOR BACK SUPPORT CONNECTION (WIDTH 90,0 mm [3,54 in])



SURFACE COLOURS / FINISHES



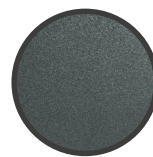
BLACK PAINTED ALUMINIUM HOUSING



POLISHED ALUMINIUM HOUSING



BLACK PLASTIC LEVERS



ANTHRACITE GREY (RAL 7016) PLASTIC COVERS

RELATED PRODUCTS



DONATI BOLT-ON SLIDING OR FIXED SEAT FAMILY



BOLT-ON SEATS 153x200 mm [6.0x7.9 in] OR 200x200 mm [7.9x7.9 in] CONNECTION