

SPECIFICATIONS

TYPE	Weight-activated synchronized mechanism
TILT ANGLES	20° backrest / 6,5° seat
BACKREST TILT LOCK	4 positions, by lever
HEIGHT ADJUSTMENT	By lever
SEAT ANGLE ADJUSTMENT	<ul style="list-style-type: none"> — 0° — 5° forward — Free float
COMFORT	Tension fine-tuning by lower knob
SEAT CONNECTION	Donati universal seat plate
BACK BAR CONNECTION	Donati standard (width 90,0 mm [3.54 in])
MORSE CONE DIAMETER	28,0 mm [1.10 in]
MECHANISM SURFACE FINISH	Black painted
LEVER FINISH	Black
ITEMS PER BOX	28
BOXES PER PALLET (MOQ)	4 boxes (112 items)
PALLET SIZE [LxWxH]	80 x 120 x 210 cm [31.5 x 47.2 x 82.7 in]

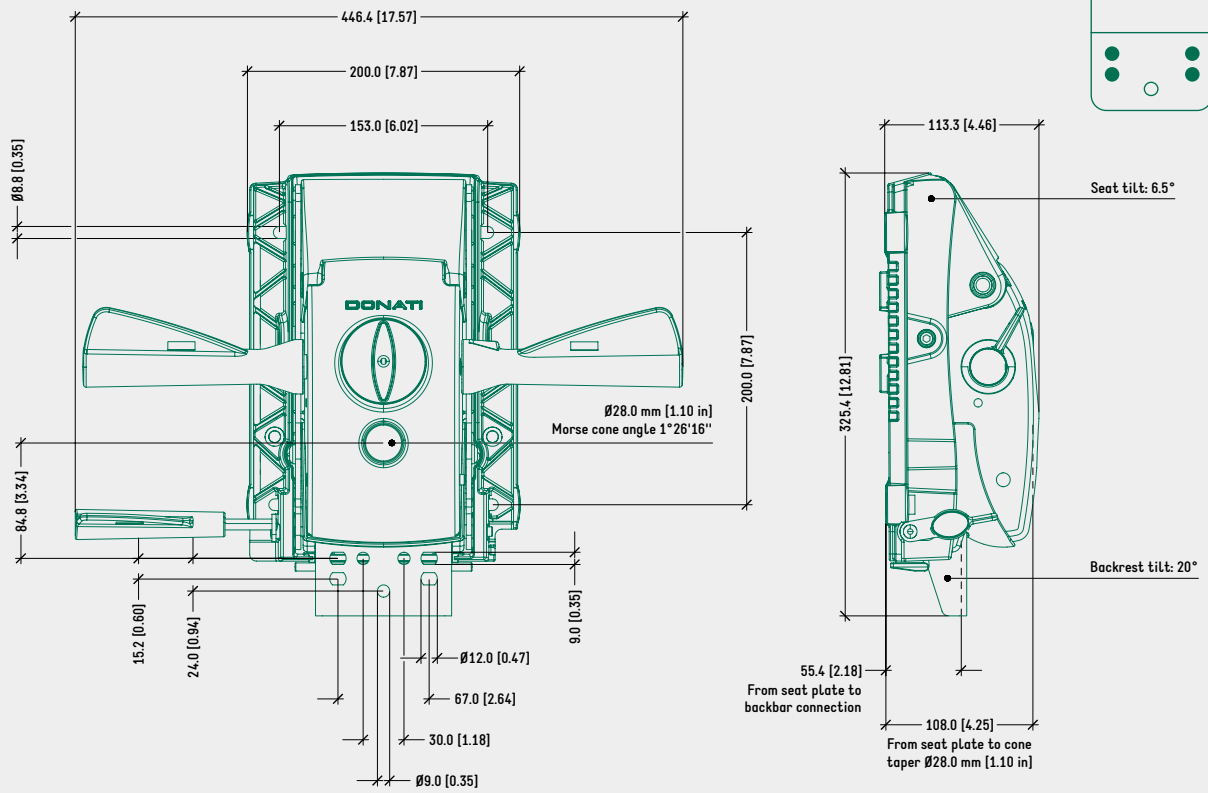
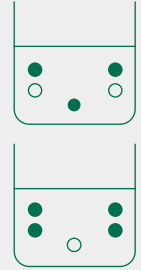
PRODUCT CODES

.....	
<u>D109 FLEX</u>	
TILT LOCK	1062700

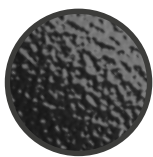
TECHNICAL DRAWING

D109 FLEX

RECOMMENDED FIXING HOLES FOR BACK BAR CONNECTION (WIDTH 90,0 mm [3,54 in])



SURFACE COLOURS / FINISHES



BLACK PAINTED ALUMINIUM HOUSING



BLACK PLASTIC LEVERS, SEAT PLATE, COVERS

RELATED PRODUCTS



DONATI QUICK CONNECTION SLIDING SEAT FAMILY



DONATI BOLT-ON SLIDING OR FIXED SEAT FAMILY



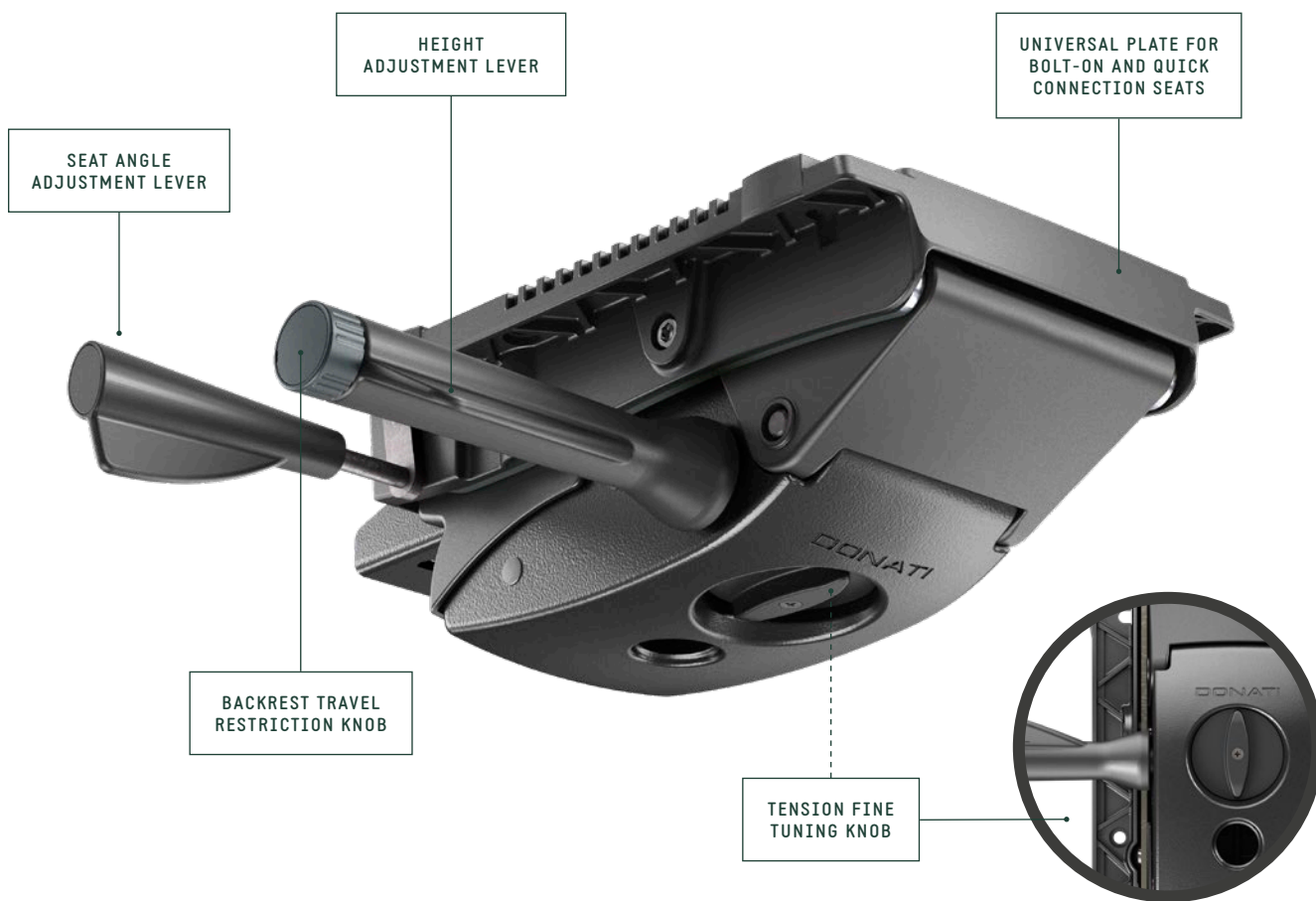
BOLT-ON SEATS 153x200 mm [6.02x7.87 in] CONNECTION



DONATI QUICK CONNECTION SLIDING PLATE ADAPTER CODE: 4515220



DONATI QUICK CONNECTION SLIDING ADAPTER MODULA 1 CODE: 4515270



SPECIFICATIONS	
TYPE	Weight-activated synchronized mechanism
TILT ANGLES	20° backrest / 6,5° seat
BACKREST TRAVEL RESTRICTION	4 positions, by side knob
HEIGHT ADJUSTMENT	By lever
SEAT ANGLE ADJUSTMENT	— 0° — 5° forward — Free float
COMFORT	Tension fine-tuning by lower knob
SEAT CONNECTION	Donati universal seat plate
BACK BAR CONNECTION	Donati standard (width 90,0 mm [3.54 in])
MORSE CONE DIAMETER	28,0 mm [1.10 in]
MECHANISM SURFACE FINISH	Black painted
LEVER FINISH	Black
SIDE KNOB FINISH	Anthracite grey (RAL 7016)
ITEMS PER BOX	32
BOXES PER PALLET (MOQ)	4 boxes (128 items)
PALLET SIZE (LxWxH)	80 x 120 x 210 cm [31.5 x 47.2 x 82.7 in]

PRODUCT CODES

.....
D109 FLEX

TRAVEL RESTRICTION 1062705

