

SPECIFICATIONS

TYPE	Weight-activated synchronized mechanism
TILT ANGLES	20° backrest / 6,5° seat
BACKREST TILT LOCK	4 positions, by seat integrated lever
HEIGHT ADJUSTMENT	By seat integrated lever
SEAT DEPTH ADJUSTMENT	By seat integrated lever
COMFORT	Tension fine-tuning by lower knob
SEAT CONNECTION	Trasla 2 Cable seat only
ARMREST CONNECTION	— Type-B armrest interface — Type-N armrest interface
BACK BAR CONNECTION	Donati standard (width 90,0 mm [3.54 in])
MORSE CONE DIAMETER	28,0 mm [1.10 in]
MECHANISM SURFACE FINISH	Black painted
SEAT FINISH	Black
ITEMS PER BOX	16
BOXES PER PALLET (MOQ)	4 boxes (64 items)
PALLET SIZE (LxWxH)	80 x 120 x 210 cm [31.5 x 47.2 x 82.7 in]

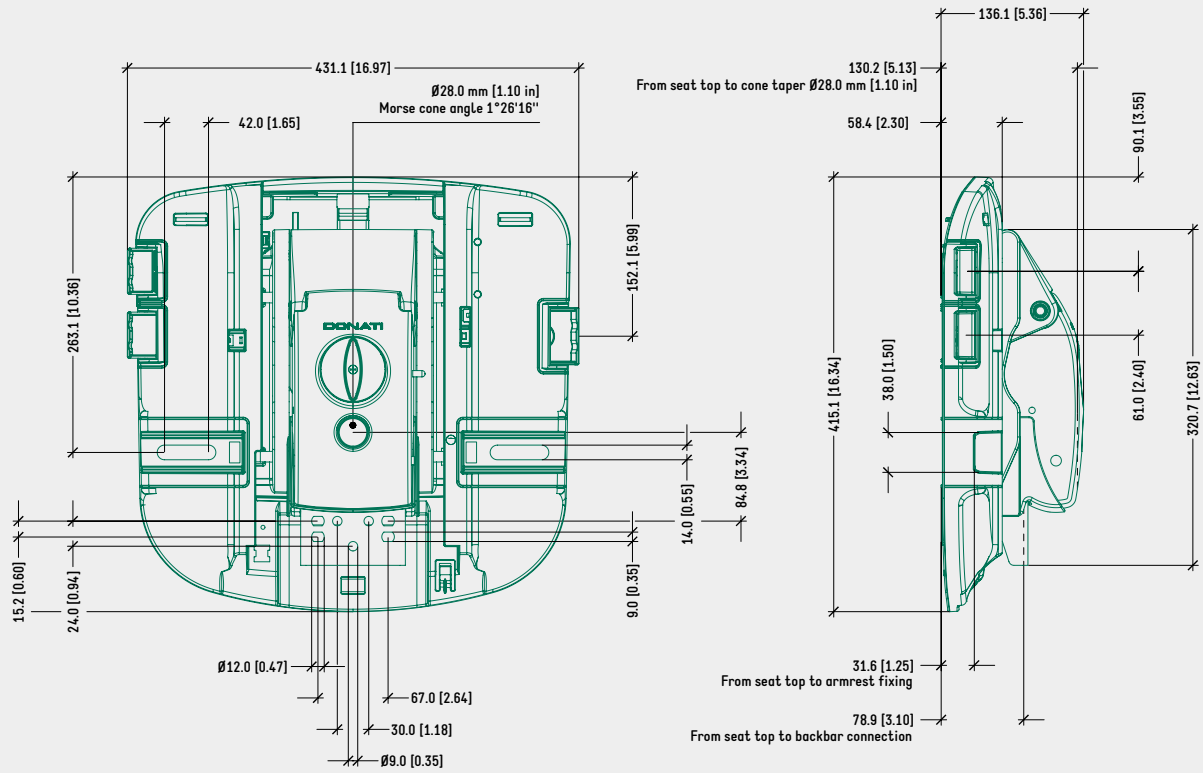
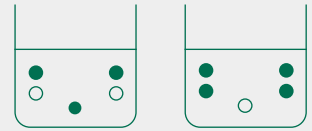
PRODUCT CODES

.....	
D109 CABLE	1062950
(SEAT 4515190 INCLUDED, TYPE-B ARMREST INTERF.)	
UPHOLSTERY PLATE	
SMALL	4515173
LARGE	4515171
LARGE WITH PU FOAM	4580055
LARGE WITH FOAM & BLACK UPHOLSTERY	4580060

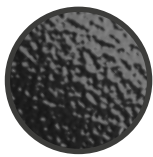
TECHNICAL DRAWING

D109 CABLE - TYPE-B ARMREST INTERFACE

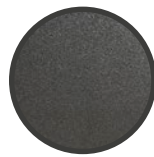
RECOMMENDED FIXING HOLES FOR BACK BAR CONNECTION (WIDTH 90,0 mm [3,54 in])



SURFACE COLOURS / FINISHES



BLACK PAINTED ALUMINIUM HOUSING



BLACK PLASTIC SEAT, LEVERS, COVERS

RELATED PRODUCTS



DONATI TRASLA 2 CABLE ACTIVATION SEAT FAMILY



TYPE-B ARMREST INTERFACE CONNECTION ONLY

TYPE-B ARMREST FIXING KIT CODES

FOR ALUMINIUM ARMREST

- WIDTH ADJUSTABLE - WITH ARMBAR (EN1335) 4500167
- WIDTH ADJUSTABLE - WITH ARMBAR (BIFMA) 4500117
- FIXED - W/O ARMBAR (EN1335) 4501700

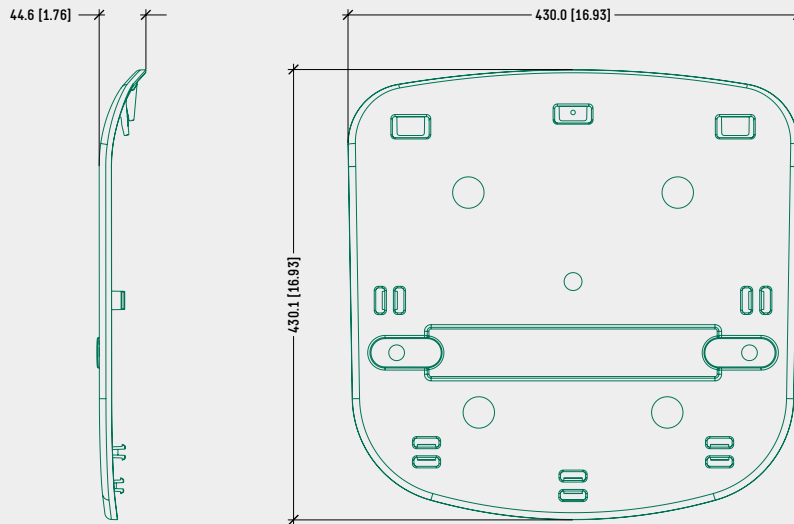
FOR NYLON ARMREST

- WIDTH ADJUSTABLE - WITH ARMBAR (EN1335) 4500167
- WIDTH ADJUSTABLE - WITH ARMBAR (BIFMA) 4500169
- FIXED - W/O ARMBAR (EN1335) 4501700

TECHNICAL DRAWING

SMALL UPHOLSTERY PLATE

4515173



TECHNICAL DRAWING

LARGE UPHOLSTERY PLATE

4515171

