

**SPECIFICATIONS**

TYPE	Gas spring
EXTERNAL DIAMETER	50,0 mm [1.97 in]
INSIDE GAS LIFT DIAMETER	28,0 mm [1.10 in]
CLASS	3
FORCE	300N
GAS SPRING HEIGHT	263,0 mm [10.35 in]
STROKE	126,0 mm [4.96 in]
EXT. TAPER HEIGHT (∅ 50 mm)	204,5 mm [8.05 in]
INT. TAPER HEIGHT (∅ 28 mm)	230,0 mm [9.06 in]
GAS SPRING SURFACE FINISH	— Chrome — Black
ITEMS PER BOX (MOQ)	20 / 600

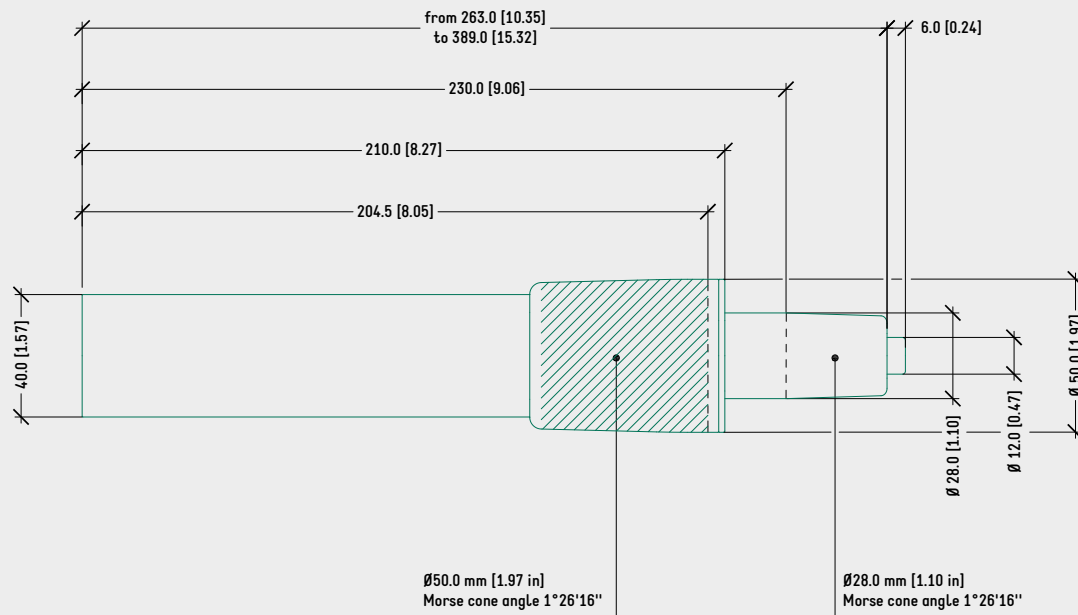
**PRODUCT CODES**

.....  
TG C2 - 130 GAS SPRING

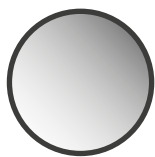
BLACK	4501505
CHROME	4501504

TECHNICAL DRAWING

TG C2 - 130 GAS SPRING



SURFACE COLOURS / FINISHES



CHROME STEEL  
GAS SPRING



BLACK PAINTED  
GAS SPRING

RELATED PRODUCTS



SUPERLEGGERA  
4 STAR BASE - MID  
MORSE CONE ∅ 50 mm  
CODE: 5010460



SUPERLEGGERA  
5 STAR BASE  
MORSE CONE ∅ 50 mm  
CODE: 5010320