

SPECIFICATIONS

TYPE	Quick height adjustment footrest
MATERIAL	Aluminium
EXTERNAL DIAMETER	475,3 mm (18.71 inch)
HEIGHT ADJUSTMENT	By quick-release integrated lever
GAS SPRING DIAMETER	50,0 mm (1.97 inch)
FOOTREST SURFACE FINISHES	Brushed / Black painted

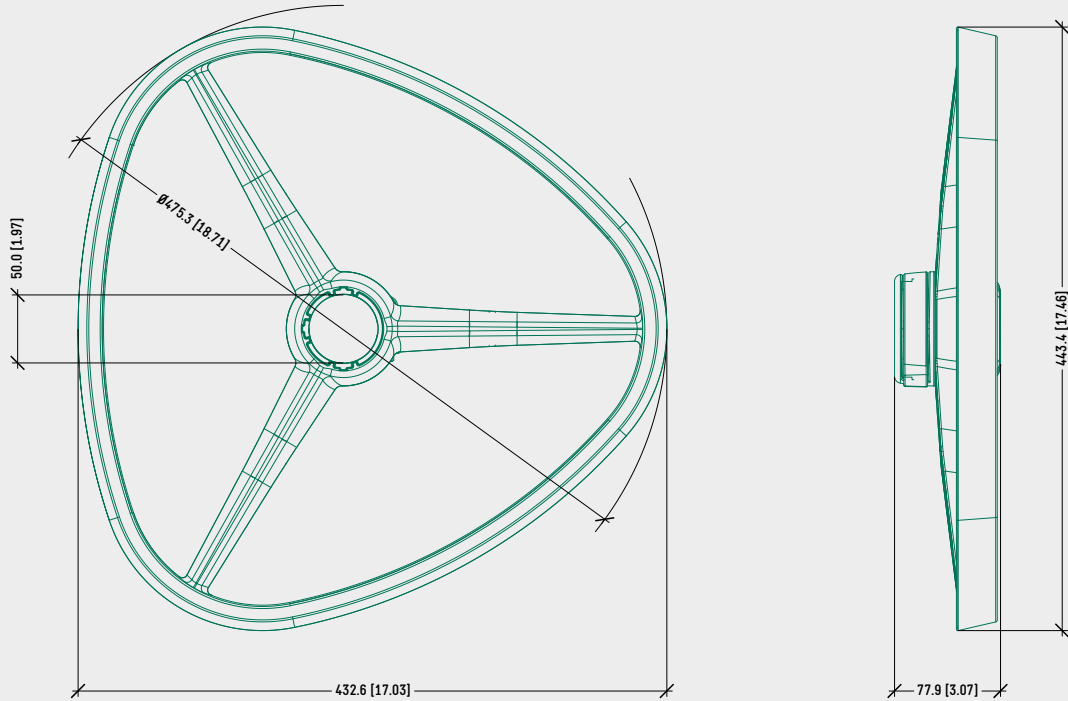
PRODUCT CODES

.....
TRIM FOOTREST

1005060

TECHNICAL DRAWING

TRIM FOOTREST



SURFACE COLOURS / FINISHES



BRUSHED ALUMINIUM
FOOTREST



BLACK PAINTED
FOOTREST



BLACK PLASTIC
LEVER