



OPTIONAL: HARD FLOOR
OR CARPET FLOOR GLIDE



4 STAR MEDIUM & HIGH
BASES AVAILABLE

SPECIFICATIONS

TYPE	4 star base
MATERIAL	Aluminium
EXTERNAL DIAMETER	820,5 mm [32.30 in]
GLIDES / CASTERS DIAMETER	800,0 mm [31.50 in]
MORSE CONE DIAMETER	— 50,0 mm [1.97 in] — 40,0 mm [1.57 in]
CONE TAPER HEIGHT	158,0 mm [6.22 in]
SURFACE COLOURS / FINISHES	— Polished — Black painted — Sandblasted
WEIGHT	2,32 Kg [5,11 lb]
ITEMS PER BOX	55
BOXES PER PALLET (MOQ)	2 boxes (110 items)
PALLET SIZE [LxWxH]	160 x 115 x 220 cm [63.0 x 45.3 x 86.6 in]
DESIGN	Alberto Lievore

PRODUCT CODES

..... SUPERLEGGERA - LOW - MORSE CONE Ø 50 mm

POLISHED 5010465

BLACK PAINTED 5010467

SANDBLASTED 5010468

SUPERLEGGERA - LOW - MORSE CONE Ø 40 mm

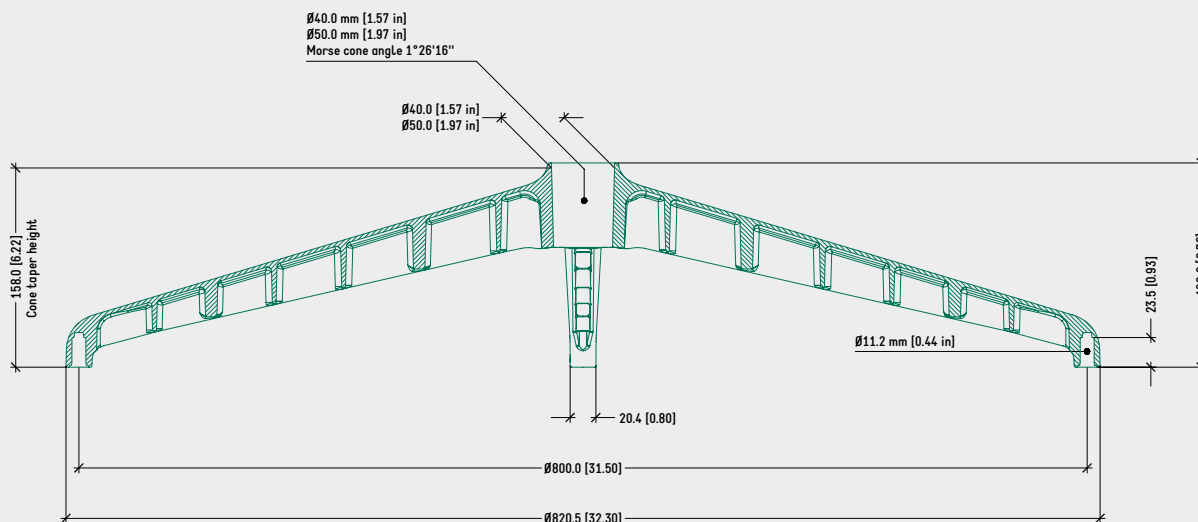
POLISHED 5010470

BLACK PAINTED 5010472

SANDBLASTED 5010473

TECHNICAL DRAWING

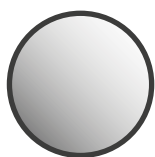
SUPERLEGGERA - 4 STAR - LOW



NOTES

- Cone taper height: measured from ground (w/o casters or glides) to Morse cone taper $\varnothing 50 / 40$ mm [1.97 / 1.57 in].
- Minimum recommended distance between gas cylinder and ground for aluminium bases: 15~20 mm [0.59 ~ 0.79 in].

SURFACE COLOURS / FINISHES



POLISHED



BLACK PAINTED



SANDBLASTED

RELATED PRODUCTS



SUPERLEGGERA
4 AND 5 STAR
BASE COLLECTION



$\varnothing 40$ mm GAS SPRING
COVER
CODE: 4510166



$\varnothing 24 \times 5$ mm
SMALL GLIDE
HARD FLOOR: 4510100



$\varnothing 24 \times 5$ mm
SMALL GLIDE
CARPET FLOOR: 4510101