

ALUMINIUM  
VERSION AVAILABLE

#### SPECIFICATIONS

TYPE	5 star base
MATERIAL	Nylon + GF
AVAILABLE ALSO IN	Aluminium
EXTERNAL DIAMETER	715,0 mm [28.15 in]
GLIDES / CASTERS DIAMETER	680,0 mm [26.77 in]
MORSE CONE DIAMETER	50,0 mm [1.97 in]
CONE TAPER HEIGHT	74,0 mm [2.91 in]
SURFACE COLOURS / FINISHES	Photoengraved (Novatex 7381)

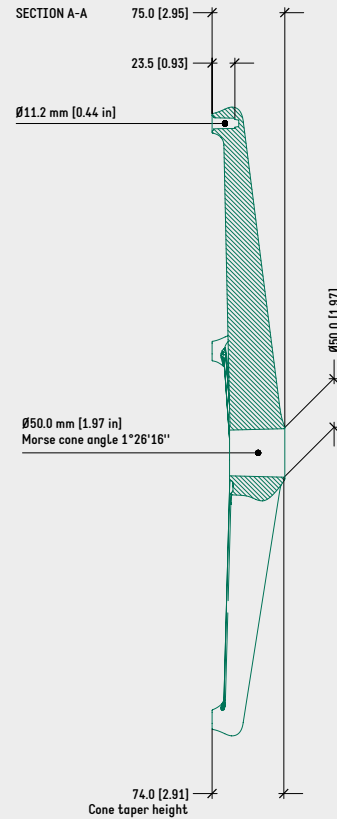
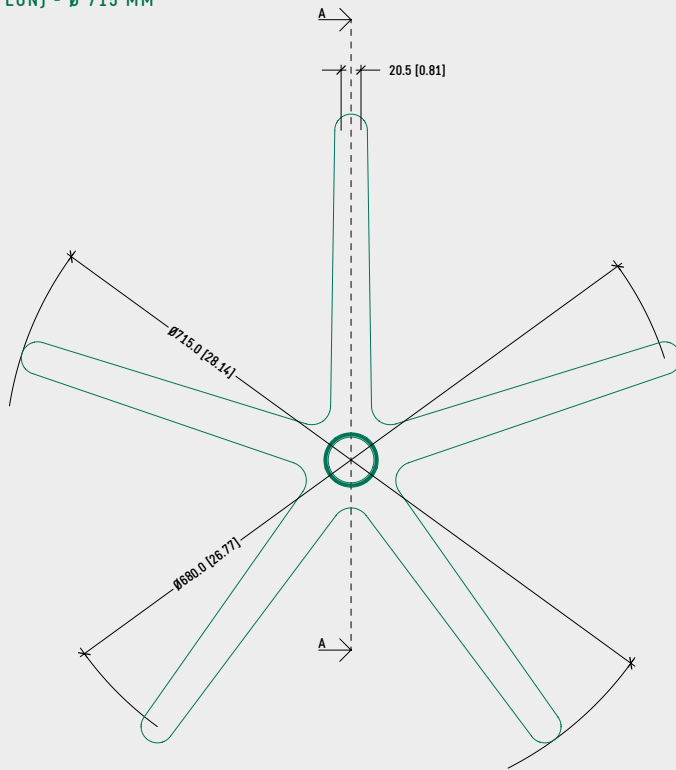
#### PRODUCT CODES

QUOIN (NYLON) - Ø 715 mm

5012055

TECHNICAL DRAWING

QUOIN (NYLON) - Ø 715 MM



NOTES

- Cone taper height: measured from ground (w/o casters or glides) to Morse cone taper Ø 50 mm [1.97 in].
- Minimum recommended distance between gas cylinder and ground for nylon bases 30-35 mm [1.18 - 1.38 in].

SURFACE COLOURS / FINISHES



PHOTOENGRAVED  
[NOVATEX 7381]

RELATED PRODUCTS



QUOIN (ALUMINIUM)  
CODE: 5010365

RELATED PRODUCTS



Ø24 x 5 mm  
SMALL GLIDE  
HARD FLOOR: 4510100



Ø24 x 5 mm  
SMALL GLIDE  
CARPET FLOOR: 4510101



## SPECIFICATIONS

TYPE	5 star base
MATERIAL	Nylon + GF
EXTERNAL DIAMETER	653,5 mm [25.73 in]
GLIDES / CASTERS DIAMETER	620,0 mm [24.41 in]
MORSE CONE DIAMETER	50,0 mm [1.97 in]
CONE TAPER HEIGHT	74,4 mm [2.93 in]
SURFACE COLOURS / FINISHES	Photoengraved (Novatex 7381)

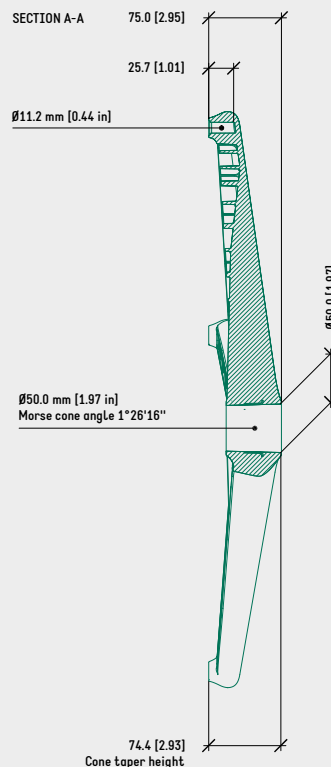
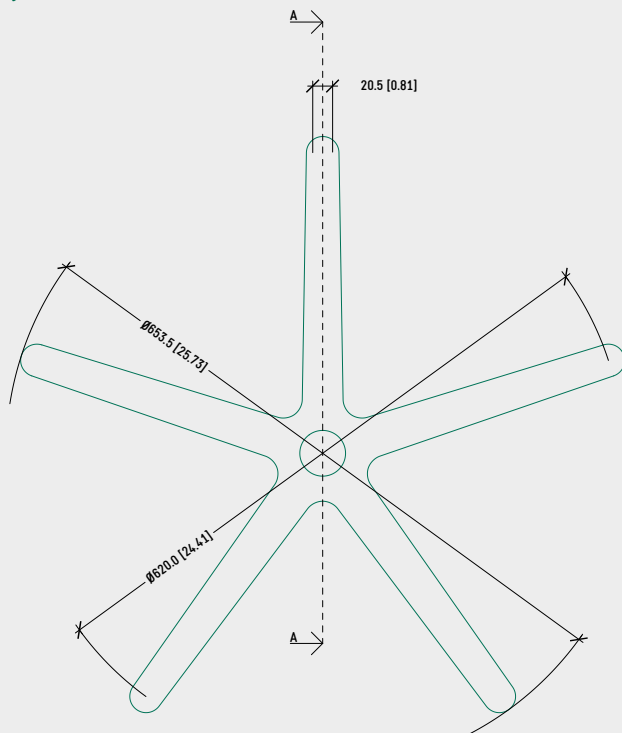
## PRODUCT CODES

.....  
QUOIN (NYLON) - Ø 655 mm

5012070

TECHNICAL DRAWING

QUOIN (NYLON) - Ø 655 mm



NOTES

- Cone taper height: measured from ground (w/o casters or glides) to Morse cone taper Ø 50 mm [1.97 in].
- Minimum recommended distance between gas cylinder and ground for nylon bases 30-35 mm [1.18 ~ 1.38 in].

SURFACE COLOURS / FINISHES



PHOTOENGRAVED  
[NOVATEX 7381]

RELATED PRODUCTS



Ø24 x 5 mm  
SMALL GLIDE  
HARD FLOOR: 4510100



Ø24 x 5 mm  
SMALL GLIDE  
CARPET FLOOR: 4510101