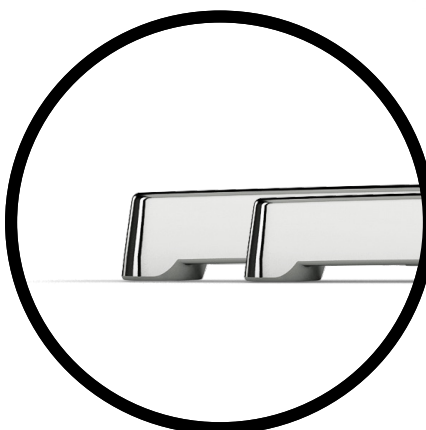




OPTIONAL: CHROME  
OR BLACK GLIDE



MEDIUM & LARGE  
VERSION AVAILABLE

#### SPECIFICATIONS

TYPE	4 star base
MATERIAL	Aluminium
EXTERNAL DIAMETER	631,0 mm [24.84 in]
GLIDES / CASTERS DIAMETER	602,0 mm [23.70 in]
MORSE CONE DIAMETER	— 50,0 mm [1.97 in] — 40,0 mm [1.57 in]
CONE TAPER HEIGHT	50,5 mm [1.99 in]
SURFACE COLOURS / FINISHES	— Polished — Black painted — Sandblasted
WEIGHT	1,65 Kg [3,64 lb]
ITEMS PER BOX	102
BOXES PER PALLET (MOQ)	2 boxes (204 items)
PALLET SIZE [LxWxH]	150 x 104 x 220 cm [59.1 x 40.9 x 86.6 in]

#### PRODUCT CODES

.....  
DB1.8 - Ø 630 mm - MORSE CONE Ø 50 mm

POLISHED 5010400

BLACK PAINTED 5010401

SANDBLASTED 5010402

DB1.8 - Ø 630 mm - MORSE CONE Ø 40 mm

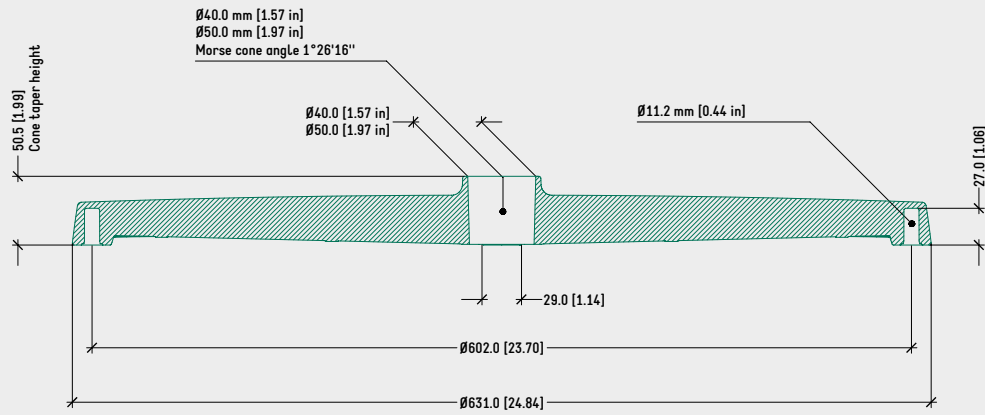
POLISHED 5010405

BLACK PAINTED 5010406

SANDBLASTED 5010407

TECHNICAL DRAWING

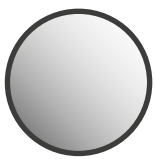
DB1.8 - 4 STAR - Ø 630 mm



NOTES

- Cone taper height: measured from ground (w/o casters or glides) to Morse cone taper  $\varnothing 50 / 40$  mm [1.97 / 1.57 in].
- Minimum recommended distance between gas cylinder and ground for aluminium bases: 15~20 mm [0.59 ~ 0.79 in].

SURFACE COLOURS / FINISHES



POLISHED



BLACK PAINTED



SANDBLASTED

RELATED PRODUCTS



DB1.8 - 4 STAR  
BASE COLLECTION



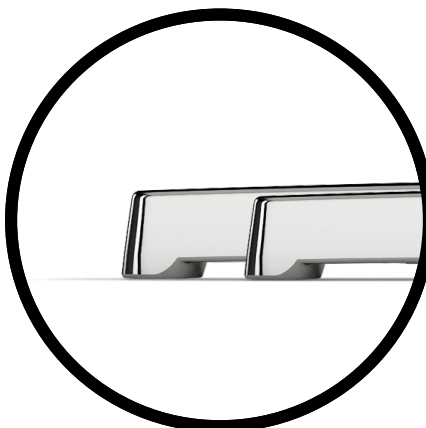
$\varnothing 28.5 \times 22$  mm  
CHROME GLIDE  
HARD FLOOR: 4510016  
CARPET FLOOR: 4510011



$\varnothing 28.5 \times 22$  mm  
BLACK GLIDE  
HARD FLOOR: 4510015  
CARPET FLOOR: 4510010



OPTIONAL: CHROME  
OR BLACK GLIDE



SMALL & LARGE  
VERSION AVAILABLE

#### SPECIFICATIONS

TYPE	4 star base
MATERIAL	Aluminium
EXTERNAL DIAMETER	731,0 mm [28.78 in]
GLIDES / CASTERS DIAMETER	702,0 mm [26.64 in]
MORSE CONE DIAMETER	— 50,0 mm [1.97 in] — 40,0 mm [1.57 in]
CONE TAPER HEIGHT	50,5 mm [1.99 in]
SURFACE COLOURS / FINISHES	— Polished — Black painted — Sandblasted
WEIGHT	1,90 Kg [4,19 lb]
ITEMS PER BOX	102
BOXES PER PALLET (MOQ)	2 boxes (204 items)
PALLET SIZE (LxWxH)	160 x 115 x 220 cm [63.0 x 45.3 x 86.6 in]

#### PRODUCT CODES

.....  
DB1.8 - Ø 730 mm - MORSE CONE Ø 50 mm

POLISHED 5010410

BLACK PAINTED 5010411

SANDBLASTED 5010412

DB1.8 - Ø 730 mm - MORSE CONE Ø 40 mm

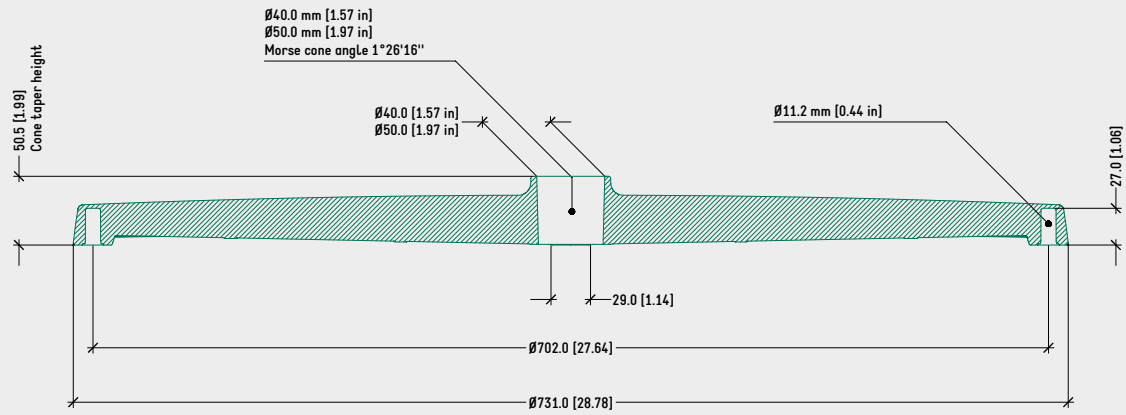
POLISHED 5010415

BLACK PAINTED 5010416

SANDBLASTED 5010417

## TECHNICAL DRAWING

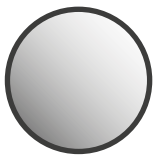
## DB1.8 - 4 STAR - Ø 730 mm



## NOTES

- Cone taper height: measured from ground (w/o casters or glides) to Morse cone taper  $\varnothing 50 / 40$  mm [1.97 / 1.57 in].
- Minimum recommended distance between gas cylinder and ground for aluminium bases: 15~20 mm [0.59 ~ 0.79 in].

## SURFACE COLOURS / FINISHES



POLISHED



BLACK PAINTED



SANDBLASTED

## RELATED PRODUCTS

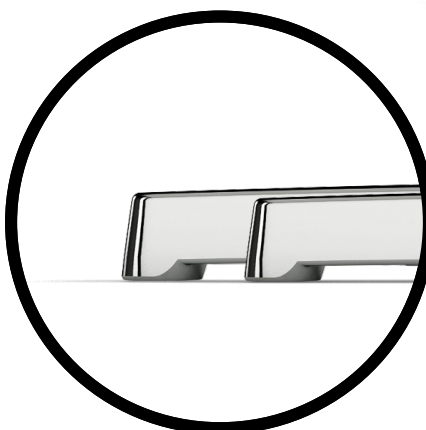

 DB1.8 - 4 STAR  
 BASE COLLECTION

 $\varnothing 28.5 \times 22$  mm  
 CHROME GLIDE  
 HARD FLOOR: 4510016  
 CARPET FLOOR: 4510011

 $\varnothing 28.5 \times 22$  mm  
 BLACK GLIDE  
 HARD FLOOR: 4510015  
 CARPET FLOOR: 4510010



OPTIONAL: CHROME  
OR BLACK GLIDE



SMALL & MEDIUM  
VERSION AVAILABLE

#### SPECIFICATIONS

TYPE	4 star base
MATERIAL	Aluminium
EXTERNAL DIAMETER	831,0 mm [32.71 in]
GLIDES / CASTERS DIAMETER	802,0 mm [31.57 in]
MORSE CONE DIAMETER	— 50,0 mm [1.97 in] — 40,0 mm [1.57 in]
CONE TAPER HEIGHT	50,5 mm [1.99 in]
SURFACE COLOURS / FINISHES	— Polished — Black painted — Sandblasted
WEIGHT	2,24 Kg [4,93 lb]
ITEMS PER BOX	80
BOXES PER PALLET (MOQ)	2 boxes (160 items)
PALLET SIZE (LxWxH)	160 x 115 x 220 cm [63.0 x 45.3 x 86.6 in]

#### PRODUCT CODES

.....  
DB1.8 - Ø 830 mm - MORSE CONE Ø 50 mm

POLISHED 5010420

BLACK PAINTED 5010421

SANDBLASTED 5010422

DB1.8 - Ø 830 mm - MORSE CONE Ø 40 mm

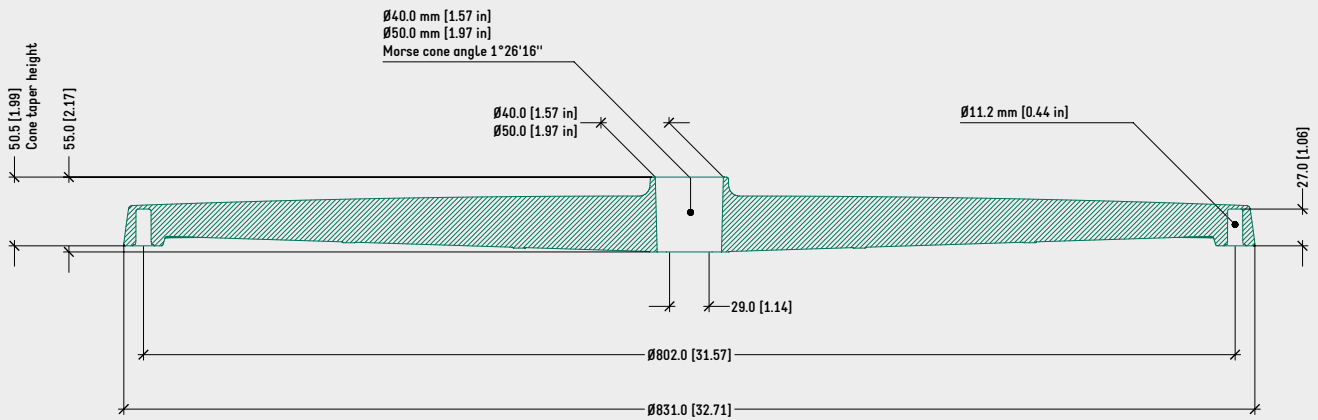
POLISHED 5010425

BLACK PAINTED 5010426

SANDBLASTED 5010427

TECHNICAL DRAWING

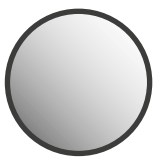
DB1.8 - 4 STAR - Ø 830 mm



NOTES

- Cone taper height: measured from ground (w/o casters or glides) to Morse cone taper Ø 50 / 40 mm [1.97 / 1.57 in].
- Minimum recommended distance between gas cylinder and ground for aluminium bases: 15-20 mm [0.59 ~ 0.79 in].

SURFACE COLOURS / FINISHES



POLISHED



BLACK PAINTED



SANDBLASTED

RELATED PRODUCTS



DB1.8 - 4 STAR  
BASE COLLECTION



Ø28.5 x 22 mm  
CHROME GLIDE  
HARD FLOOR: 4510016  
CARPET FLOOR: 4510011



Ø28.5 x 22 mm  
BLACK GLIDE  
HARD FLOOR: 4510015  
CARPET FLOOR: 4510010