



SPECIFICATIONS	
TYPE	Adjustable straight armrest
MATERIAL	Nylon
AVAILABLE ALSO IN	Aluminium
HEIGHT ADJUSTMENT	100 mm [3.94 in]
WIDTH ADJUSTMENT	Fixed
	42 mm [1.65 in] (According to the fixing kit)
PAD TO PAD DISTANCE	From 364 mm [14.33 in] to 510 mm [20.08 in]
RELATED PAD	Complete Donati pad family
PAD ADJUSTMENT	— 360° rotation
	— 40 mm [1.57 in] backwards / forwards
SEAT CONNECTION	Type-B armrest interface
ITEMS PER BOX	40
BOXES PER PALLET (MOQ)	4 boxes (160 items)
PALLET SIZE (LxWxH)	80 x 120 x 210 cm [31.5 x 47.2 x 82.7 in]

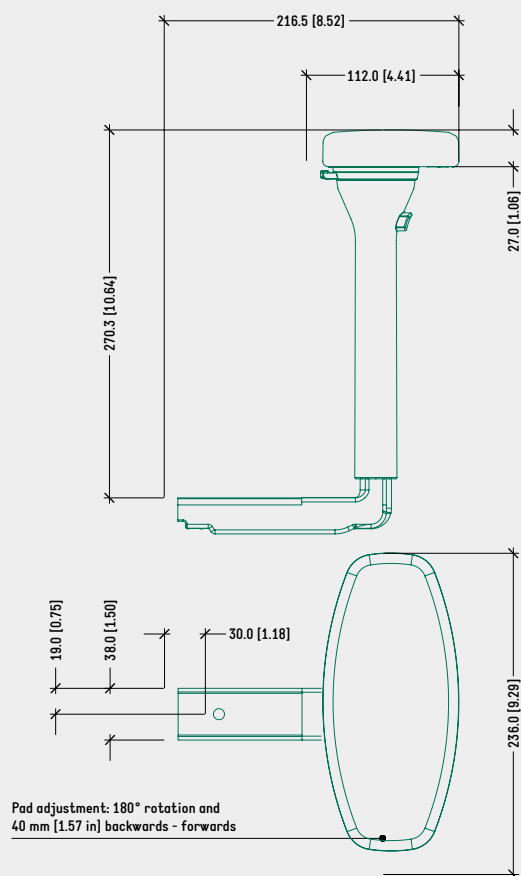
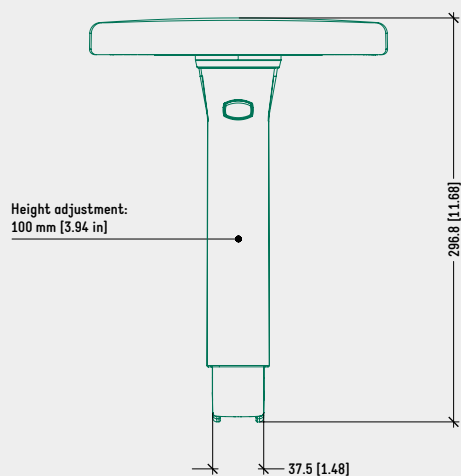
PRODUCT CODES

BeO 4D – STRAIGHT (NYLON)

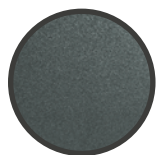
4500511

TECHNICAL DRAWING

BeO 4D – STRAIGHT (NYLON)



SURFACE COLOURS / FINISHES

BLACK NYLON
ARMRESTSRAL 7610 NYLON
BUTTONS

RELATED PRODUCTS

TYPE-B
ARMREST INTERFACE
SEATS ONLY

TYPE-B ARMREST FIXING KIT CODES

FOR TRASLA 2 – TRASLA 2 CABLE SEAT

WIDTH ADJUSTABLE - WITH ARMBAR [EN1335] 4500167

WIDTH ADJUSTABLE - WITH ARMBAR [BIFMA] 4500169

FIXED - W/O ARMBAR [EN1335] 4501700

FOR TRASLA 3 SEAT

WIDTH ADJ. - W/O ARMBAR [EN1335 & BIFMA] 4501121

FOR KITE SEAT

FIXED - W/O ARMBAR [EN1335 & BIFMA] 4501703

FOR SLIM – CONKA – FLAT – CUSTOMERS' SEAT

WIDTH ADJUSTABLE - WITH ARMBAR 4500162

WIDTH ADJUSTABLE - W/O ARMBAR 4500164

FOR DASH SEAT

WIDTH ADJUSTABLE - WITH ARMBAR [EN1335] 4500167

WIDTH ADJUSTABLE - WITH ARMBAR 4501117



FOX

D x W x H [mm]	225 x 99 x 27
D x W x H [in]	8.85 x 3.89 x 1.06
PU	4700555



MIDI

D x W x H [mm]	219 x 100 x 27
D x W x H [in]	8.62 x 3.94 x 1.06
PU	9000538
PP	9000537



STANDARD

D x W x H [mm]	236 x 112 x 27
D x W x H [in]	9.29 x 4.41 x 1.06
PU	9000515



NPR

D x W x H [mm]	216 x 112 x 27
D x W x H [in]	8.50 x 4.41 x 1.06
PU	9000554



COX

D x W x H [mm]	235 x 100 x 27
D x W x H [in]	9.25 x 3.94 x 1.06
PU	9000551



SQUARE

D x W x H [mm]	236 x 112 x 27
D x W x H [in]	9.29 x 4.41 x 1.06
PU	9000547