



## SPECIFICATIONS

TYPE	Adjustable straight armrest
MATERIAL	Nylon
AVAILABLE ALSO IN	Aluminium
HEIGHT ADJUSTMENT	100 mm [3.94 in]
WIDTH ADJUSTMENT	42 mm [1.65 in] (According to the seat / fixing)
PAD TO PAD DISTANCE	From 364 mm [14.33 in] to 510 mm [20.08 in]
RELATED PAD	Complete Donati pad family
PAD ADJUSTMENT	— 360° rotation — 40 mm [1.57 in] backwards / forwards
RELATED SEAT	Complete Donati seat family, Traslà 4 <u>excluded</u>
ITEMS PER BOX	40
BOXES PER PALLET (MOQ)	4 boxes (160 items)
PALLET SIZE (LxWxH)	80 x 120 x 210 cm [31.5 x 47.2 x 82.7 in]

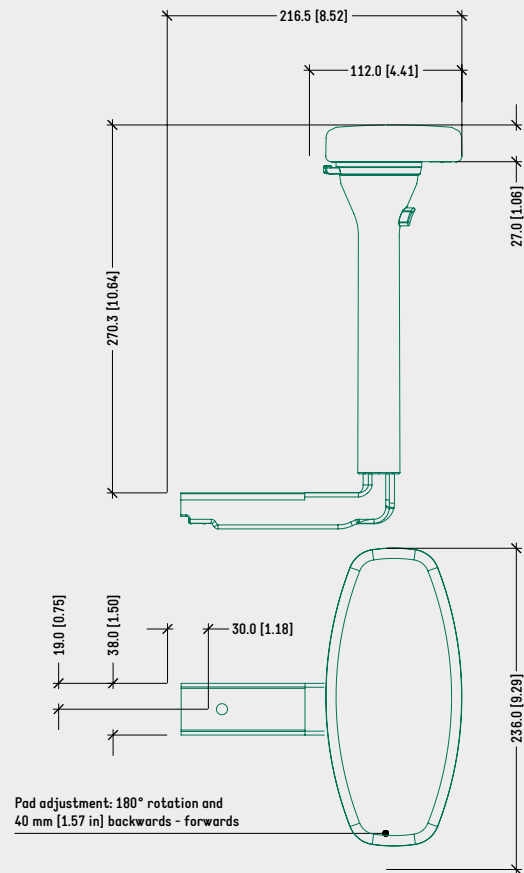
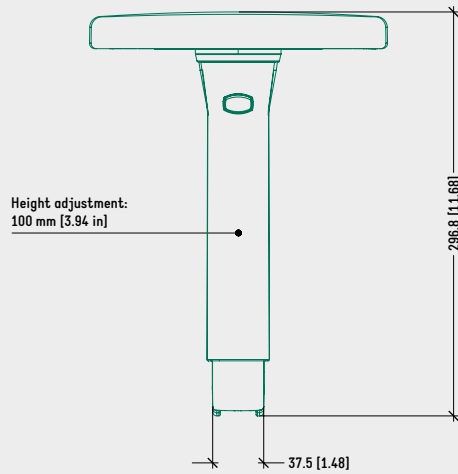
## PRODUCT CODES

BeO 4D – STRAIGHT (NYLON)

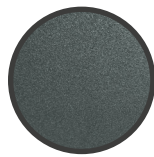
4500511

## TECHNICAL DRAWING

## BeO 4D – STRAIGHT (NYLON)



## SURFACE COLOURS / FINISHES

BLACK NYLON  
ARMRESTSRAL 7610 NYLON  
BUTTONS

## NYLON ARM FIXING KIT CODES

FOR TRASLA 2 – TRASLA 2 CABLE SEAT

WITH WIDTH ADJUSTABLE CONN. [EN1335]	4500167
WITH WIDTH ADJUSTABLE CONN. [BIFMA]	4500169
W/O WIDTH ADJUSTABLE CONN. [EN1335]	4501700

FOR TRASLA 3 SEAT [EN1335 – BIFMA]

4501120

FOR SLIM – CONKA – FLAT – CUSTOMERS' SEAT

FIXING KIT WITH ARMBAR	4500162
FIXING KIT W/O ARMBAR	4500164

FOR DASH SEAT

FIXING KIT WITH ARMBAR [EN1335]	4500167
FIXING KIT WITH ARMBAR	4501117



FOX	
D x W x H (mm)	225 x 99 x 27
D x W x H [in]	8.85 x 3.89 x 1.06
PU	4700555



MIDI	
D x W x H (mm)	219 x 100 x 27
D x W x H [in]	8.62 x 3.94 x 1.06
PU	9000538
PP	9000537



STANDARD	
D x W x H (mm)	236 x 112 x 27
D x W x H [in]	9.29 x 4.41 x 1.06
PU	9000515



NPR	
D x W x H (mm)	216 x 112 x 27
D x W x H [in]	8.50 x 4.41 x 1.06
PU	9000554



COX	
D x W x H (mm)	235 x 100 x 27
D x W x H [in]	9.25 x 3.94 x 1.06
PU	9000551



SQUARE	
D x W x H (mm)	236 x 112 x 27
D x W x H [in]	9.29 x 4.41 x 1.06
PU	9000547