



SPECIFICATIONS	
TYPE	Adjustable 12° armrest
MATERIAL	Nylon
AVAILABLE ALSO IN	Aluminium
HEIGHT ADJUSTMENT	100 mm [3.94 in]
WIDTH ADJUSTMENT	Fixed
	42 mm [1.65 in] (According to the fixing kit)
PAD TO PAD DISTANCE	From 364 mm [14.33 in] to 510 mm [20.08 in]
RELATED PAD	Complete Donati pad family
PAD ADJUSTMENT	— 30 mm [1.2 in] side
	— 45 mm [1.8 in] backwards / forwards
	— 360° rotation
	— 40 mm [1.6 in] backwards / forwards
SEAT CONNECTION	Type-B armrest interface
ITEMS PER BOX	40
BOXES PER PALLET (MOQ)	4 boxes (160 items)
PALLET SIZE (LxWxH)	80 x 120 x 210 cm [31.5 x 47.2 x 82.7 in]

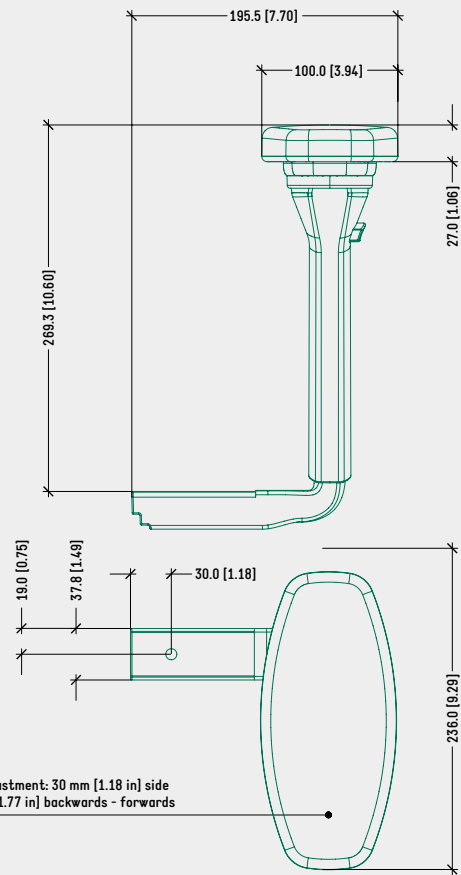
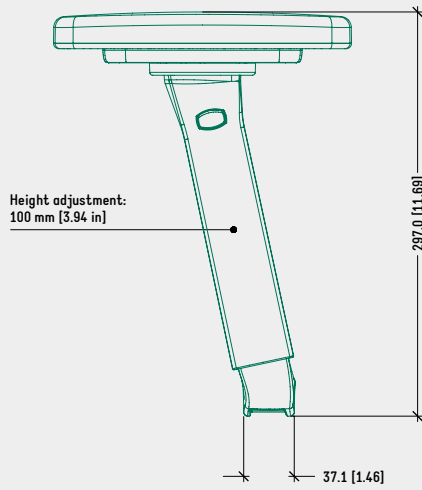
PRODUCT CODES

BeO 4D – 12° (NYLON) TYPE-B ARMREST INTERFACE

SLIDING PAD (MIDI & COX ONLY)	4502531
ROTATING PAD WITH POSITION LOCK	4500531

TECHNICAL DRAWING

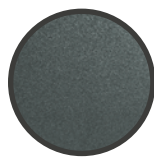
BeO 4D – 12° (NYLON) – SLIDING PAD (TYPE-B INTERFACE)



SURFACE COLOURS / FINISHES



BLACK NYLON
ARMRESTS



RAL 7610 NYLON
BUTTONS

RELATED PRODUCTS



TYPE-B
ARMREST INTERFACE
SEATS ONLY



DONATI
MIDI, COX & FOX
PADS ONLY

TYPE-B ARMREST FIXING KIT CODES

FOR TRASLA 2 – TRASLA 2 CABLE SEAT

WIDTH ADJUSTABLE - WITH ARMBAR [EN1335]	4500167
WIDTH ADJUSTABLE - WITH ARMBAR [BIFMA]	4500169
FIXED - W/O ARMBAR [EN1335]	4501700

FOR TRASLA 3 SEAT

WIDTH ADJ. - W/O ARMBAR [EN1335 & BIFMA]	4501121
--	---------

FOR KITE SEAT

FIXED - W/O ARMBAR [EN1335 & BIFMA]	4501703
-------------------------------------	---------

FOR SLIM – CONKA – FLAT – CUSTOMERS' SEAT

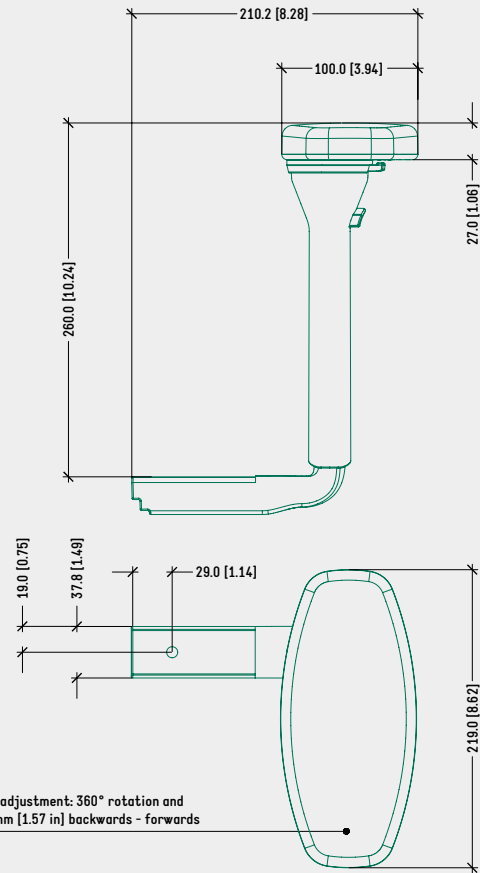
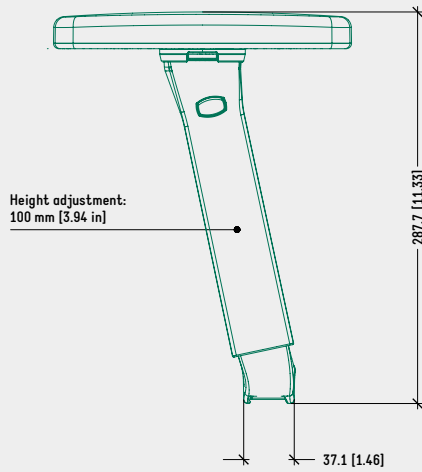
WIDTH ADJUSTABLE - WITH ARMBAR	4500162
WIDTH ADJUSTABLE - W/O ARMBAR	4500164

FOR DASH SEAT

WIDTH ADJUSTABLE - WITH ARMBAR [EN1335]	4500167
WIDTH ADJUSTABLE - WITH ARMBAR	4501117

TECHNICAL DRAWING

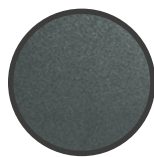
BeO 4D – 12° (NYLON) – ROTATING PAD (TYPE-B INTERFACE)



SURFACE COLOURS / FINISHES



BLACK NYLON
ARMRESTS



RAL 7610 NYLON
BUTTONS

RELATED PRODUCTS



TYPE-B
ARMREST INTERFACE
SEATS ONLY

TYPE-B ARMREST FIXING KIT CODES

FOR TRASLA 2 – TRASLA 2 CABLE SEAT

WIDTH ADJUSTABLE - WITH ARMBAR [EN1335]	4500167
WIDTH ADJUSTABLE - WITH ARMBAR [BIFMA]	4500169
FIXED - W/O ARMBAR [EN1335]	4501700

FOR TRASLA 3 SEAT

WIDTH ADJ. - W/O ARMBAR [EN1335 & BIFMA]	4501121
--	---------

FOR KITE SEAT

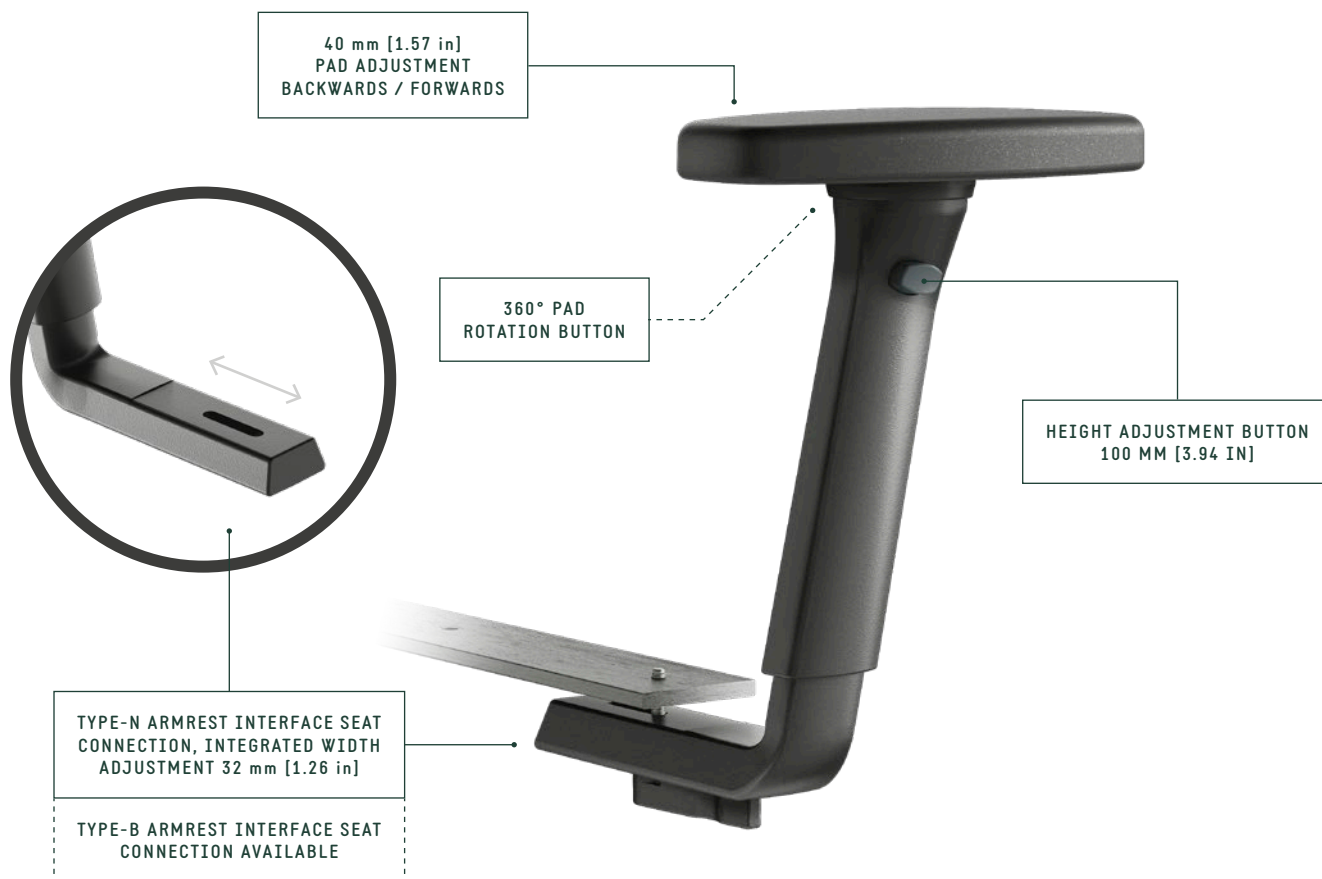
FIXED - W/O ARMBAR [EN1335 & BIFMA]	4501703
-------------------------------------	---------

FOR SLIM – CONKA – FLAT – CUSTOMERS' SEAT

WIDTH ADJUSTABLE - WITH ARMBAR	4500162
WIDTH ADJUSTABLE - W/O ARMBAR	4500164

FOR DASH SEAT

WIDTH ADJUSTABLE - WITH ARMBAR [EN1335]	4500167
WIDTH ADJUSTABLE - WITH ARMBAR	4501117



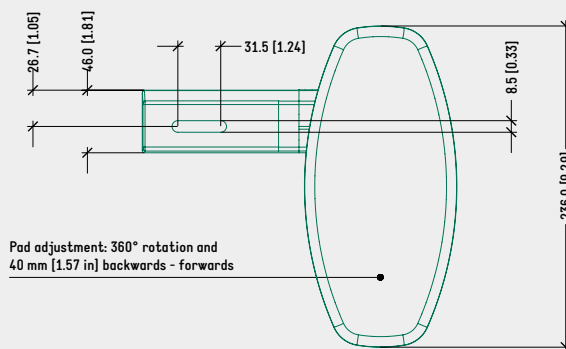
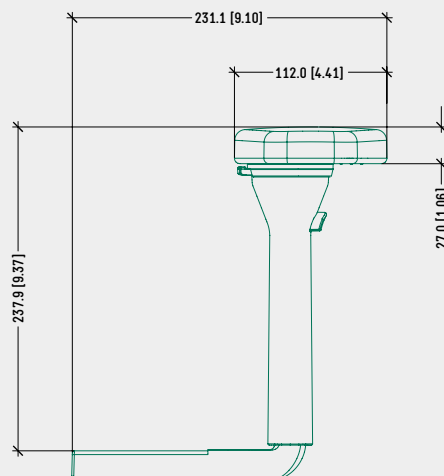
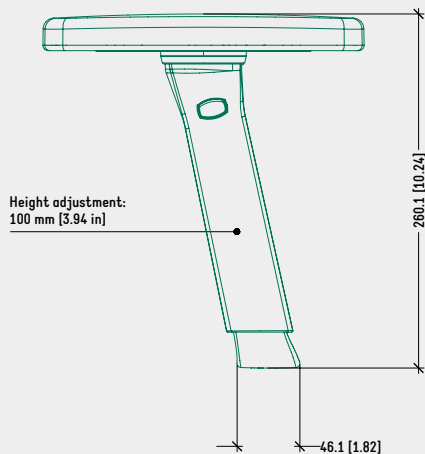
SPECIFICATIONS	
TYPE	Adjustable 12° armrest
MATERIAL	Nylon
HEIGHT ADJUSTMENT	100 mm [3.94 in]
WIDTH ADJUSTMENT	32 mm [1.26 in]
PAD TO PAD DISTANCE	From 394 mm [15.51 in] to 517 mm [20.35 in]
RELATED PAD	Complete Donati pad family
PAD ADJUSTMENT	— 360° rotation — 40 mm [1.57 in] backwards / forwards
SEAT CONNECTION	Type-N armrest interface
ITEMS PER BOX	40
BOXES PER PALLET (MOQ)	4 boxes (160 items)
PALLET SIZE (LxWxH)	80 x 120 x 210 cm [31.5 x 47.2 x 82.7 in]

PRODUCT CODES

.....
BeO 4D – 12° (NYLON) TYPE-N ARMREST INTERFACE
 ROTATING PAD WITH POSITION LOCK 4500580

TECHNICAL DRAWING

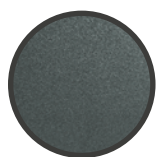
BeO 4D – 12° – ROTATING PAD (TYPE-N INTERFACE)



SURFACE COLOURS / FINISHES



BLACK NYLON
ARMRESTS



RAL 7610 NYLON
BUTTONS

TYPE-N ARMREST FIXING KIT CODES

FOR TRASLA 2 – TRASLA 2 CABLE SEAT

WIDTH ADJUSTABLE - WITH ARMBAR (BIFMA) 4501112

FOR TRASLA 3 – TRASLA 4 SEAT

WIDTH ADJUSTABLE - W/O ARMBAR (BIFMA) 4501111

RELATED PRODUCTS



TYPE-N
ARMREST INTERFACE
SEATS ONLY



FOX	
D x W x H (mm)	225 x 99 x 27
D x W x H (in)	8.85 x 3.89 x 1.06
PU	4700555



MIDI	
D x W x H (mm)	219 x 100 x 27
D x W x H (in)	8.62 x 3.94 x 1.06
PU	9000538
PP	9000537



STANDARD	
D x W x H (mm)	236 x 112 x 27
D x W x H (in)	9.29 x 4.41 x 1.06
PU	9000515



NPR	
D x W x H (mm)	216 x 112 x 27
D x W x H (in)	8.50 x 4.41 x 1.06
PU	9000554



COX	
D x W x H (mm)	235 x 100 x 27
D x W x H (in)	9.25 x 3.94 x 1.06
PU	9000551



SQUARE	
D x W x H (mm)	236 x 112 x 27
D x W x H (in)	9.29 x 4.41 x 1.06
PU	9000547