



SPECIFICATIONS	
TYPE	Adjustable 12° armrest
MATERIAL	Nylon
HEIGHT ADJUSTMENT	100 mm [3.94 in]
WIDTH ADJUSTMENT	Fixed 42 mm [1.65 in] (According to the fixing kit)
PAD TO PAD DISTANCE	From 428 mm [16.85 in] to 512 mm [20.15 in]
RELATED PAD	Midi Cox Fox
PAD ADJUSTMENT	Fixed — 30 mm [1.2 in] side — 45 mm [1.8 in] backwards / forwards
SEAT CONNECTION	Type-B armrest interface
ITEMS PER BOX	40
BOXES PER PALLET (MOQ)	4 boxes (160 items)
PALLET SIZE [LxWxH]	80 x 120 x 210 cm [31.5 x 47.2 x 82.7 in]

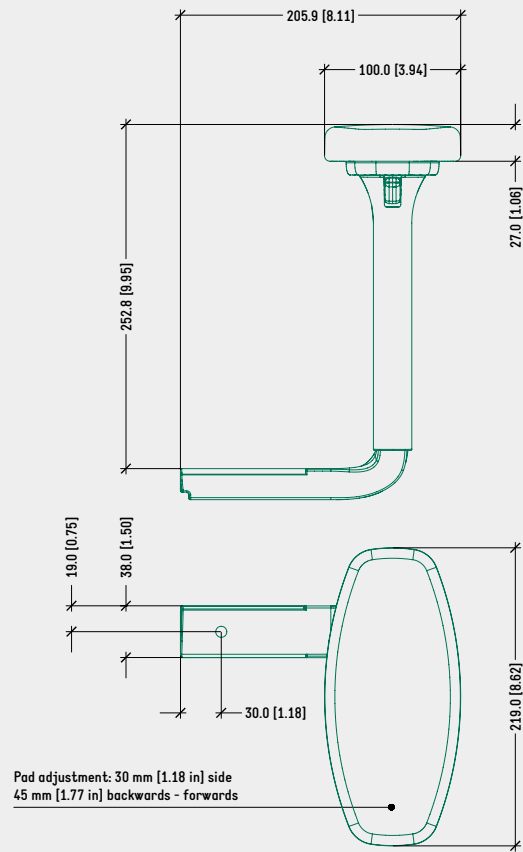
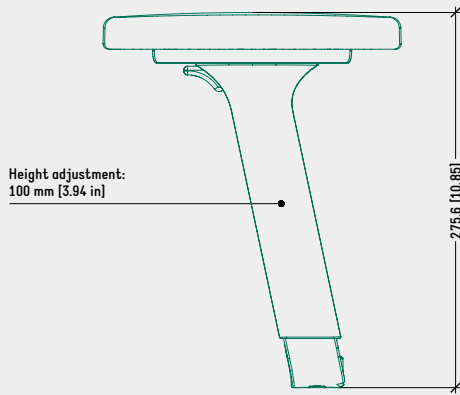
PRODUCT CODES

---

<b>BeO 2D — TYPE-B ARMREST INTERFACE</b>	
SLIDING PAD	4502700
FIXED PAD	4500700

TECHNICAL DRAWING

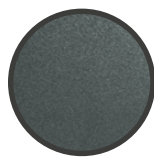
BeO 2D – SLIDING PAD (TYPE-B INTERFACE)



SURFACE COLOURS / FINISHES



BLACK NYLON  
ARMRESTS



RAL 7610 NYLON  
BUTTONS

RELATED PRODUCTS



TYPE-B  
ARMREST INTERFACE  
SEATS ONLY



DONATI  
MIDI, COX & FOX  
PADS ONLY

TYPE-B ARMREST FIXING KIT CODES

FOR TRASLA 2 – TRASLA 2 CABLE SEAT

WIDTH ADJUSTABLE - WITH ARMBAR [EN1335] 4500167

WIDTH ADJUSTABLE - WITH ARMBAR [BIFMA] 4500169

FIXED - W/O ARMBAR [EN1335] 4501700

FOR TRASLA 3 SEAT

WIDTH ADJ. - W/O ARMBAR [EN1335 & BIFMA] 4501121

FOR KITE SEAT

FIXED - W/O ARMBAR [EN1335 & BIFMA] 4501703

FOR SLIM – CONKA – FLAT – CUSTOMERS' SEAT

WIDTH ADJUSTABLE - WITH ARMBAR 4500162

WIDTH ADJUSTABLE - W/O ARMBAR 4500164

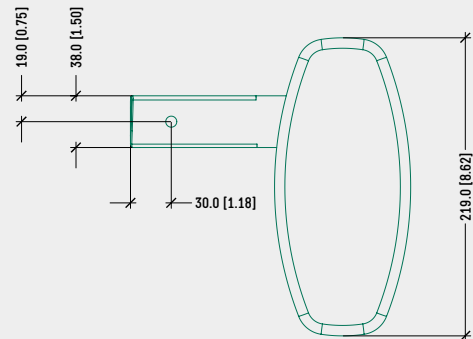
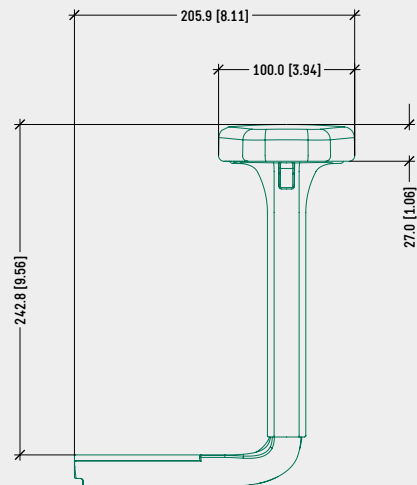
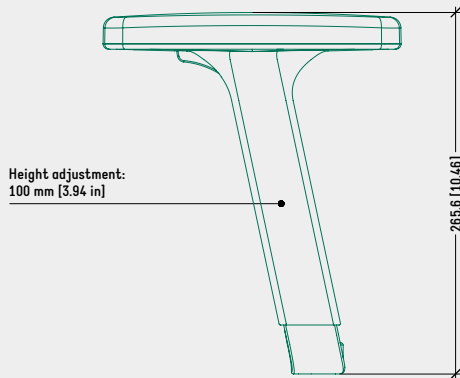
FOR DASH SEAT

WIDTH ADJUSTABLE - WITH ARMBAR [EN1335] 4500167

WIDTH ADJUSTABLE - WITH ARMBAR 4501117

TECHNICAL DRAWING

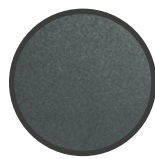
BeO 2D – FIXED PAD (TYPE-B INTERFACE)



SURFACE COLOURS / FINISHES



BLACK NYLON  
ARMRESTS



RAL 7610 NYLON  
BUTTONS

RELATED PRODUCTS



TYPE-B  
ARMREST INTERFACE  
SEATS ONLY



DONATI  
MIDI, COX & FOX  
PADS ONLY

TYPE-B ARMREST FIXING KIT CODES

FOR TRASLA 2 – TRASLA 2 CABLE SEAT

WIDTH ADJUSTABLE - WITH ARMBAR [EN1335] 4500167

WIDTH ADJUSTABLE - WITH ARMBAR [BIFMA] 4500169

FIXED - W/O ARMBAR [EN1335] 4501700

FOR TRASLA 3 SEAT

WIDTH ADJ. - W/O ARMBAR [EN1335 & BIFMA] 4501121

FOR KITE SEAT

FIXED - W/O ARMBAR [EN1335 & BIFMA] 4501703

FOR SLIM – CONKA – FLAT – CUSTOMERS' SEAT

WIDTH ADJUSTABLE - WITH ARMBAR 4500162

WIDTH ADJUSTABLE - W/O ARMBAR 4500164

FOR DASH SEAT

WIDTH ADJUSTABLE - WITH ARMBAR [EN1335] 4500167

WIDTH ADJUSTABLE - WITH ARMBAR 4501117



SPECIFICATIONS	
TYPE	Adjustable 12° armrest
MATERIAL	Nylon
HEIGHT ADJUSTMENT	100 mm [3.94 in]
WIDTH ADJUSTMENT	Fixed (29,0 mm [1.14 in] slot hole)
PAD TO PAD DISTANCE	According to the seat
RELATED PAD	Midi
	Cox
	Fox
PAD ADJUSTMENT	Fixed
	— 30 mm [1.2 in] side
	— 45 mm [1.8 in] backwards / forwards
SEAT CONNECTION	Type-V3 armrest interface
ITEMS PER BOX	40
BOXES PER PALLET (MOQ)	4 boxes (160 items)
PALLET SIZE (LxWxH)	80 x 120 x 210 cm [31.5 x 47.2 x 82.7 in]

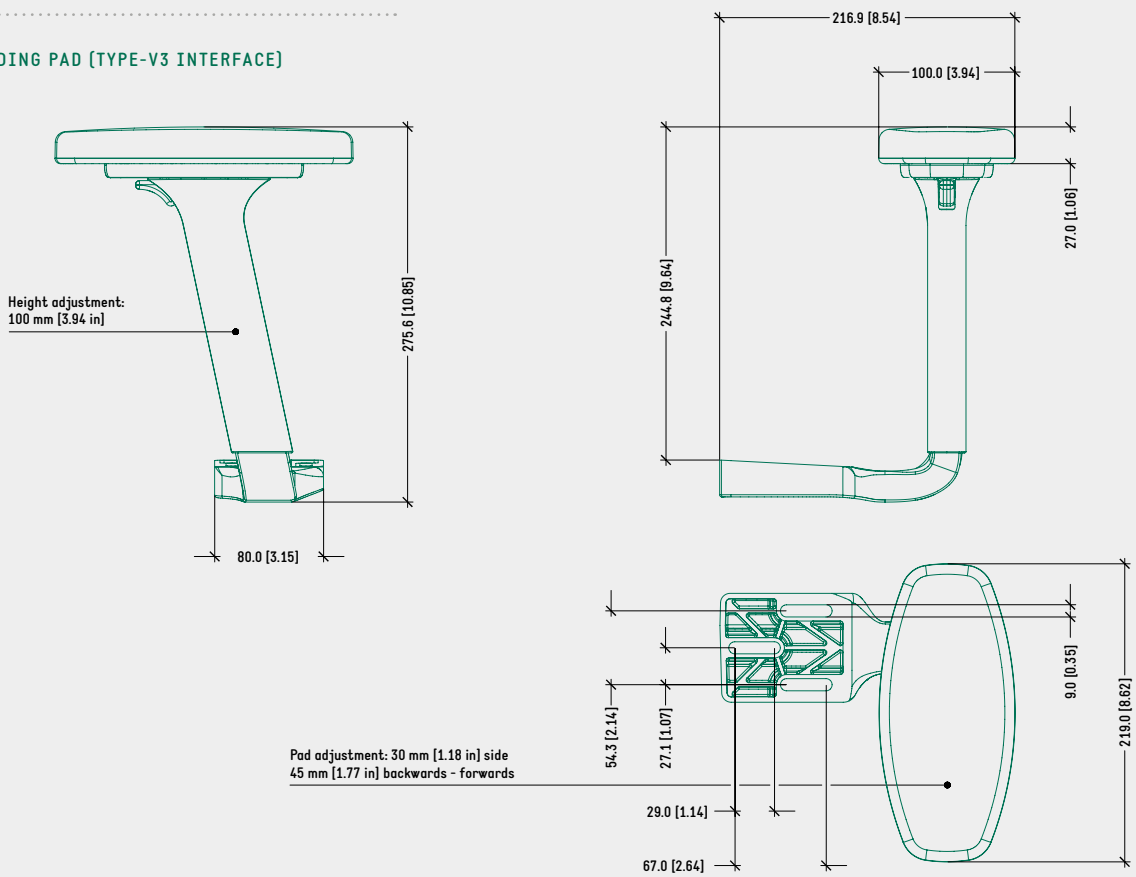
PRODUCT CODES

BeO 2D — TYPE-V3 ARMREST INTERFACE

SLIDING PAD	4502750
FIXED PAD	4500750

TECHNICAL DRAWING

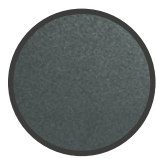
BeO 2D – SLIDING PAD (TYPE-V3 INTERFACE)



SURFACE COLOURS / FINISHES



BLACK NYLON  
ARMRESTS



RAL 7610 NYLON  
BUTTONS

RELATED PRODUCTS



TYPE-V3  
ARMREST INTERFACE  
SEATS ONLY



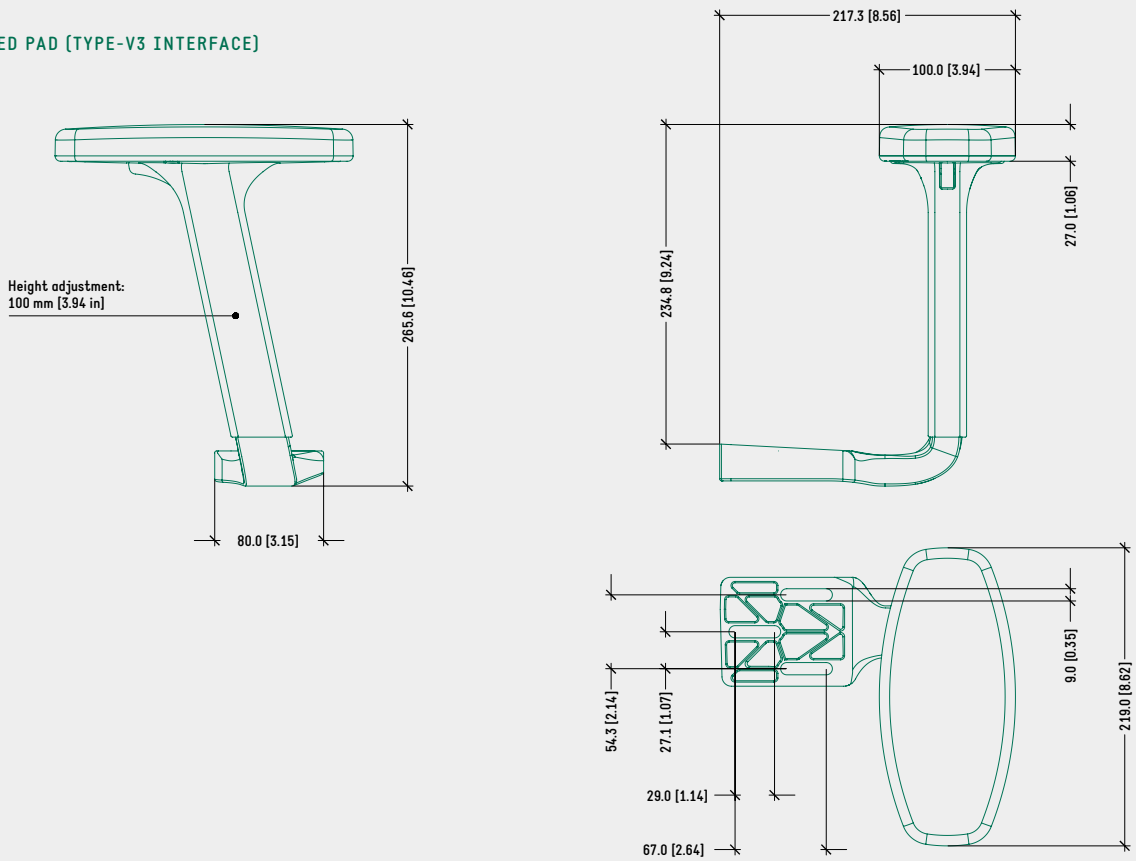
CUSTOMERS'S SEAT



DONATI  
MIDI, COX & FOX  
PADS ONLY

TECHNICAL DRAWING

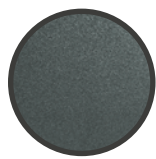
BeO 2D – FIXED PAD (TYPE-V3 INTERFACE)



SURFACE COLOURS / FINISHES



BLACK NYLON  
ARMRESTS



RAL 7610 NYLON  
BUTTONS

RELATED PRODUCTS



TYPE-V3  
ARMREST INTERFACE  
SEATS ONLY



CUSTOMERS'S SEAT



DONATI  
MIDI, COX & FOX  
PADS ONLY



**FOX**

D x W x H (mm)	225 x 99 x 27
D x W x H [in]	8.85 x 3.89 x 1.06
PU	4700555



**MIDI**

D x W x H (mm)	219 x 100 x 27
D x W x H [in]	8.62 x 3.94 x 1.06
PU	9000538
PP	9000537



**COX**

D x W x H (mm)	235 x 100 x 27
D x W x H [in]	9.25 x 3.94 x 1.06
PU	9000551