

SPECIFICATIONS	
TYPE	Fixed 12° armrest
MATERIAL	Aluminium
AVAILABLE ALSO IN	Nylon
HEIGHT ADJUSTMENT	Fixed
WIDTH ADJUSTMENT	Fixed
	42 mm [1.65 in] (According to the fixing kit)
PAD TO PAD DISTANCE	From 432 mm [17.01 in] to 515 mm [20.28 in]
RELATED PAD	Midi
	Fox
PAD ADJUSTMENT	Fixed
	40 mm [1.6 in] backwards/forwards
SEAT CONNECTION	Type-B armrest interface
ITEMS PER BOX	40
BOXES PER PALLET (MOQ)	4 boxes (160 items)
PALLET SIZE (LxWxH)	80 x 120 x 210 cm [31.5 x 47.2 x 82.7 in]

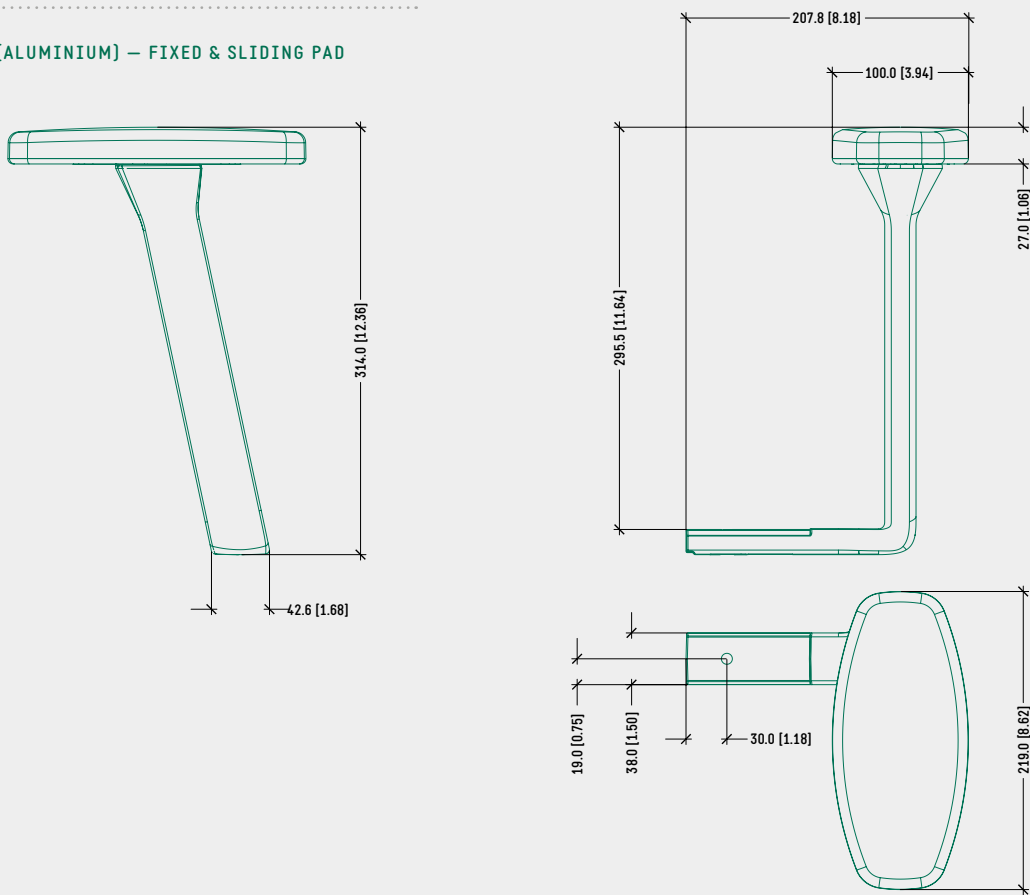
PRODUCT CODES

.....
BeO FIXED (ALUMINIUM)

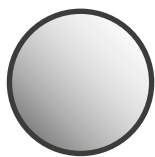
FIXED PAD	4500561
SLIDING PAD	4500555

TECHNICAL DRAWING

BeO FIXED (ALUMINIUM) – FIXED & SLIDING PAD



SURFACE COLOURS / FINISHES



POLISHED ALUMINIUM ARMRESTS

RELATED PRODUCTS



TYPE-B ARMREST INTERFACE SEATS ONLY



DONATI MIDI & FOX PADS ONLY

TYPE-B ARMREST FIXING KIT CODES

FOR TRASLA 2 – TRASLA 2 CABLE SEAT

- WIDTH ADJUSTABLE - WITH ARMBAR [EN1335] 4500167
- WIDTH ADJUSTABLE - WITH ARMBAR [BIFMA] 4500117
- FIXED - W/O ARMBAR [EN1335] 4501700

FOR TRASLA 3 SEAT

- WIDTH ADJ. - W/O ARMBAR [EN1335 & BIFMA] 4501120

FOR KITE SEAT

- FIXED - W/O ARMBAR [EN1335 & BIFMA] 4501703

FOR SLIM – CONKA – FLAT – CUSTOMERS' SEAT

- WIDTH ADJUSTABLE - WITH ARMBAR 4500118
- WIDTH ADJUSTABLE - W/O ARMBAR 4500165

FOR DASH SEAT

- WIDTH ADJUSTABLE - WITH ARMBAR [EN1335] 4500167
- WIDTH ADJUSTABLE - WITH ARMBAR 4501169



FOX

D x W x H (mm)	225 x 99 x 27
D x W x H [in]	8.85 x 3.89 x 1.06
PU	4700555



MIDI

D x W x H (mm)	219 x 100 x 27
D x W x H [in]	8.62 x 3.94 x 1.06
PU	9000538
PP	9000537