

SPECIFICATIONS	
TYPE	Fixed 12° armrest
MATERIAL	Aluminium
AVAILABLE ALSO IN	Nylon
HEIGHT ADJUSTMENT	Fixed
WIDTH ADJUSTMENT	42 mm [1.65 in] (According to the seat / fixing)
PAD TO PAD DISTANCE	From 432 mm [17.01 in] to 515 mm [20.28 in]
RELATED PAD	Midi only
PAD ADJUSTMENT	Fixed
	40 mm [1.6 in] backwards/forwards
RELATED SEAT	Complete Donati seat family, Trasla 4 <u>excluded</u>
ITEMS PER BOX	40
BOXES PER PALLET (MOQ)	4 boxes (160 items)
PALLET SIZE (LxWxH)	80 x 120 x 210 cm [31.5 x 47.2 x 82.7 in]

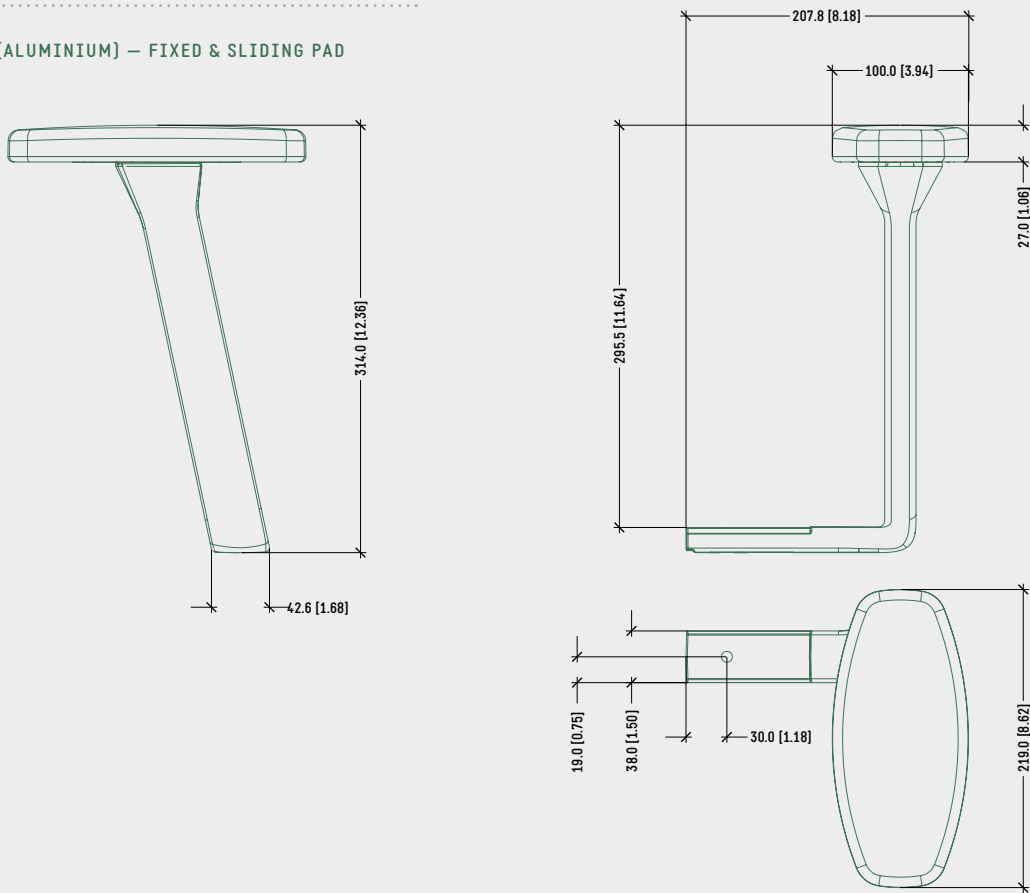
## PRODUCT CODES

.....  
BeO FIXED (ALUMINIUM)

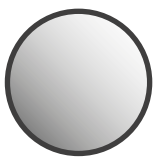
FIXED PAD	4500561
SLIDING PAD	4500555

TECHNICAL DRAWING

BeO FIXED (ALUMINIUM) – FIXED & SLIDING PAD



SURFACE COLOURS / FINISHES



POLISHED ALUMINIUM ARMRESTS

RELATED PRODUCTS



DONATI MIDI PAD ONLY

ALUMINIUM ARM FIXING KIT CODES

FOR TRASLA 2 – TRASLA 2 CABLE SEAT

WITH WIDTH ADJUSTABLE CONN. [EN1335]	4500167
WITH WIDTH ADJUSTABLE CONN. [BIFMA]	4500117
W/O WIDTH ADJUSTABLE CONN. [EN1335]	4501700

FOR TRASLA 3 SEAT [EN1335 – BIFMA]

4501121

FOR SLIM – CONKA – FLAT – CUSTOMERS' SEAT

FIXING KIT WITH ARMBAR	4500118
FIXING KIT W/O ARMBAR	4500165

FOR DASH SEAT

FIXING KIT WITH ARMBAR [EN1335]	4500167
FIXING KIT WITH ARMBAR	4501169



## MIDI

D x W x H (mm)	219 x 100 x 27
D x W x H (in)	8.62 x 3.94 x 1.06
PU	9000538
PP	9000537